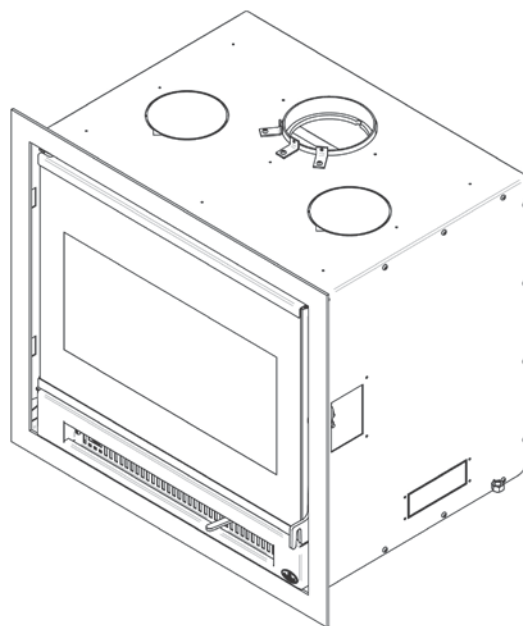
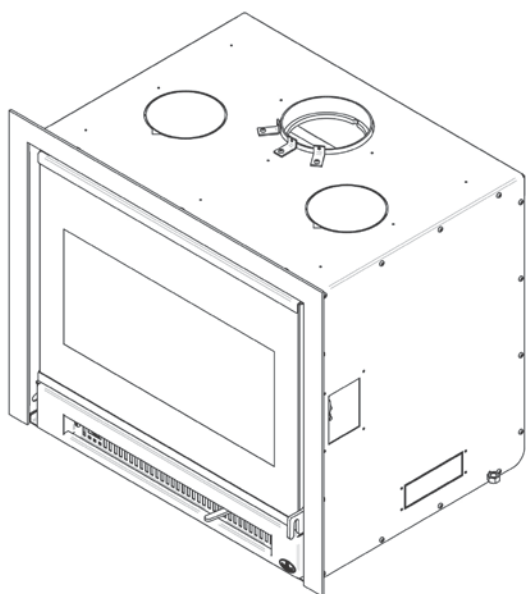


INSTALLATION AND OPERATION MANUAL



INSPIRE 2000-I INBUILT (OB02040 Model)

YOUR OSBURN INSPIRE 2000 INBUILT HAS BEEN TESTED WITH OUR ORIGINAL OSBURN INSPIRE 2000 ZERO CLEARANCE KIT. THE INSTALLATION OF ANY OTHER ZERO CLEARANCE KIT WILL VOID YOUR WARRANTY.



Distributed by
Glen Dimplex Australasia

NEW ZEALAND

38 Harris Road, East Tamaki, Auckland
Ph: 09 274 8265 Fax 09 274 8472
Email: sales@glendimplex.co.nz
www.glendimplex.com.au

AUSTRALIA

Unit 1, 21 Lionel Road
Mount Waverley, Victoria 3149
Ph: 1 300 554 155 Fax 8787 3570
Email: sales@glendimplex.com.au
www.glendimplex.com.au



This manual is available for free download on the manufacturer's web site. It is a copyrighted document. Re-sale is strictly prohibited. The manufacturer may update this manual from time to time and cannot be responsible for problems, injuries, or damages arising out of the use of information contained in any manual obtained from unauthorized sources.

READ AND KEEP THIS MANUAL FOR REFERENCE

THANK YOU FOR CHOOSING THIS WOOD INBUILT

We want to congratulate you on your purchase and wish to help you get maximum satisfaction from your wood inbuilt. In the pages that follow, we will give you advice on wood heating and controlled combustion as well as technical specifications regarding installation, operation and maintenance of the model you have chosen.

The instructions pertaining to the installation of your wood inbuilt comply with AS/NZS 4012/4013 (1999) and AS/NZS 2918:2001 standards.

Please read this entire manual before you install and use your new wood inbuilt. Failure to follow instructions may result in property damage, bodily injury, or even death. It is important that you follow the installations guidelines exactly.

Consult your local city, borough or shire council about restrictions and installations requirements in your area and the need to obtain a permit.

This heating unit is designed to serve as a supplementary heat source. We recommend that a primary heat source also be available in the home. The manufacturer cannot be responsible for costs associated with the use of another heating system.

KEEP THIS INSTRUCTION MANUAL FOR FUTURE REFERENCE.

TABLE OF CONTENTS

PART A - OPERATION AND MAINTENANCE	6
1 Safety Information	6
1.1 Summary of Operation and Maintenance Cautions and Warnings	6
2 General Information	7
2.1 OSBURN Inspire 2000-I Specifications.....	7
2.2 Zone Heating and How to Make it Work for You	9
2.3 The Benefits of Low Emissions and High Efficiency.....	9
2.4 Osburn’s Commitment to You and the Environment.....	10
2.4.1 What is Your New Wood inbuilt Made Of?	10
3 Fuel.....	11
3.1 Materials That Should Not be Burned	11
3.2 How to Prepare or Buy Good Firewood	11
3.2.1 What is Good Firewood?	11
3.2.2 Tree Species	11
3.2.3 Log Length.....	11
3.2.4 Piece Size.....	11
3.2.5 How to Dry Firewood	12
3.2.6 Judging Firewood Moisture Content	13
3.3 Manufactured Logs.....	13
4 Operating Your Wood inbuilt.....	14
4.1 Your First Fires	14
4.2 Lighting Fires.....	15
4.2.1 Conventional Fire Starting	15
4.2.2 The Top Down Fire	15
4.2.3 Two Parallel Logs.....	16
4.2.4 Using Fire Starters.....	16
4.3 Maintaining Wood fires.....	16
4.3.1 General Advice	16
4.3.2 Ash Removal.....	17
4.3.3 Raking Charcoal.....	17
4.3.4 Firing Each New Load Hot	18
4.3.5 Turning Down the Air Supply	18

4.4 Blower Operation19

4.4.1 Building Different Fires for Different Needs19

5 Maintaining Your Wood Heating System..... 21

5.1 Wood Inbuilt Maintenance.....21

5.1.1 Cleaning Door Glass21

5.1.2 Door Adjustment.....22

5.1.3 Replacing the Door Gasket.....24

5.1.4 Replacing the Glass or the Glass Gasket24

5.1.5 Cleaning and Painting the Wood Inbuilt26

5.2 Flue and Flue Liner Maintenance26

5.2.1 Why Flue System Cleaning is Necessary26

5.2.2 How Often Should You Clean the Flue System?27

5.2.3 Cleaning the Flue System27

PART B – INSTALLATION..... 28

6 Pre-Installation requirements..... 28

6.1 Masonry Fireplace28

6.2 Zero-Clearance Kit28

7 Safety Information 29

7.1 Regulations Covering Wood Inbuilt Installation.....29

8 Clearances to Heat-Sensitive Materials 30

8.1 Location of the Certification Label30

8.2 Positioning the Unit30

8.3 Minimum Masonry Opening, Clearances to Combustibles, and Floor Protector32

9 The Flue System 34

9.1 General34

9.2 Suitable Flue Systems34

9.3 Liner Installation34

9.4 Flue Liner Installation35

9.4.1 If the flue liner does align with the wood inbuilt’s flue outlet, you have two options ...35

9.4.2 If the flue liner does not align with the wood inbuilt’s flue outlet.....36

9.5 Minimum Flue System Height37

9.6 The Relationship Between the Flue System and the House.....38

9.6.1 Why the Flue System Should Penetrate the Highest Heated Space.....38

9.7 Air Quality in the House.....38

Appendix 1: Fresh Air Intake Kit Installation (optional)..... 39
Appendix 2: Faceplate Installation 40
Appendix 3: Blower Removal 41
Appendix 4: Installation of Secondary Air Tubes and Baffle 45
Appendix 5: Wood Inbuilt Removal Instructions..... 47
Appendix 6: Exploded Diagram and Parts List..... 48

REGISTER YOUR WARRANTY ONLINE

To receive full warranty coverage, you will need to show evidence of the date you purchased your wood inbuilt. Keep your sales invoice. We also recommend that you register your warranty online at

<http://www.osburn-australia.com/en/service-support/warranty-registration>

Registering your warranty online will help us track rapidly the information we need on your wood inbuilt.

PART A - OPERATION AND MAINTENANCE

Please see Part B for installation instructions.

1 SAFETY INFORMATION

1.1 SUMMARY OF OPERATION AND MAINTENANCE CAUTIONS AND WARNINGS

- **HOT WHILE IN OPERATION, KEEP CHILDREN, CLOTHING AND FURNITURE AWAY. CONTACT MAY CAUSE SKIN BURNS. GLOVES MAY BE NEEDED FOR WOOD INBUILT OPERATION.**
- **USING A WOOD INBUILT WITH CRACKED OR BROKEN COMPONENTS, SUCH AS GLASS OR FIREBRICKS OR BAFFLES MAY PRODUCE AN UNSAFE CONDITION AND MAY DAMAGE THE WOOD INBUILT.**
- **OPERATE ONLY WITH DOOR FULLY CLOSED. IF DOOR IS LEFT PARTLY OPEN, GAS AND FLAME MAY BE DRAWN OUT OF THE OPENING, CREATING RISKS FROM BOTH FIRE AND SMOKE.**
- **THIS WOOD INBUILT IS NOT DESIGNED TO BE USED WITH THE DOOR OPEN. THE DOOR MAY BE OPEN ONLY DURING LIGHTING PROCEDURES OR RELOADING. DO NOT LEAVE THE WOOD FIRE UNATTENDED WHEN THE DOOR IS SLIGHTLY OPENED DURING IGNITION. ALWAYS CLOSE THE DOOR AFTER IGNITION.**
- **OPEN THE AIR CONTROL FULLY BEFORE OPENING FIRING DOOR.**
- **NEVER USE GASOLINE, GASOLINE-TYPE LANTERN FUEL (NAPHTHA), FUEL OIL, MOTOR OIL, KEROSENE, CHARCOAL LIGHTER FLUID, OR SIMILAR LIQUIDS OR AEROSOLS TO START OR 'FRESHEN UP' A FIRE IN THIS WOOD INBUILT. KEEP ALL SUCH LIQUIDS OR AEROSOLS WELL AWAY FROM THE WOOD INBUILT WHILE IT IS IN USE.**
- **DO NOT CONNECT TO ANY AIR DISTRIBUTION DUCT OR SYSTEM.**
- **DO NOT STORE FUEL WITHIN HEATER MINIMUM INSTALLATION CLEARANCES.**
- **BURN ONLY SEASONED NATURAL FIREWOOD.**
- **THE USE OF SOME TYPES OF PRESERVATIVE-TREATED WOOD AS A FUEL CAN BE HAZARDOUS.**
- **DO NOT BURN:**
 - **GARBAGE OF ANY KIND,**
 - **COAL OR CHARCOAL,**
 - **TREATED, PAINTED OR COATED WOOD,**
 - **PLYWOOD OR PARTICLE BOARD,**
 - **FINE PAPER, COLORED PAPER OR CARDBOARD,**
 - **SALT WATER DRIFTWOOD, OR**
 - **RAILROAD TIES.**
- **DO NOT ELEVATE THE FIRE BY USING A GRATE IN THIS WOOD INBUILT.**
- **THIS APPLIANCE SHOULD BE MAINTAINED AND OPERATED AT ALL TIMES IN ACCORDANCE WITH THESE INSTRUCTIONS.**

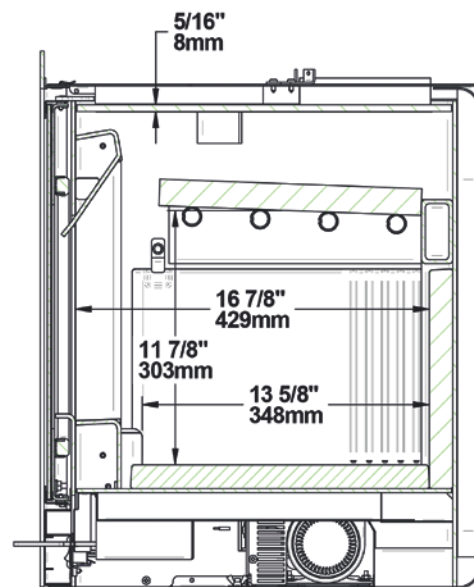
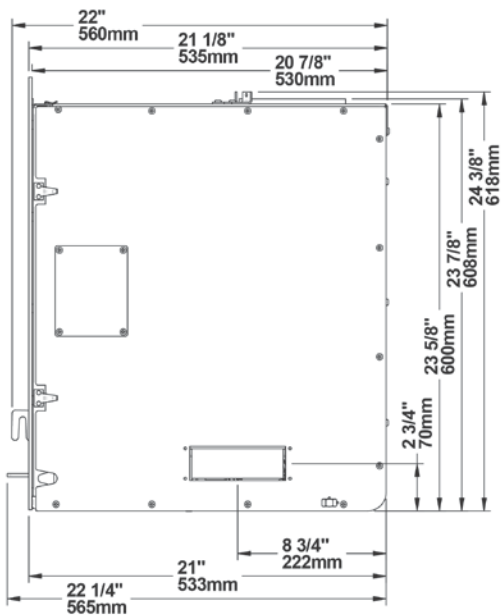
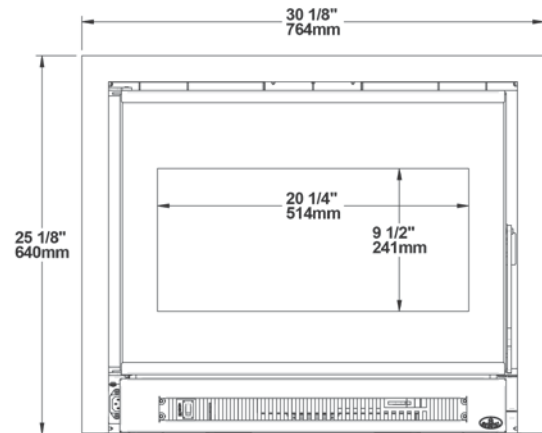
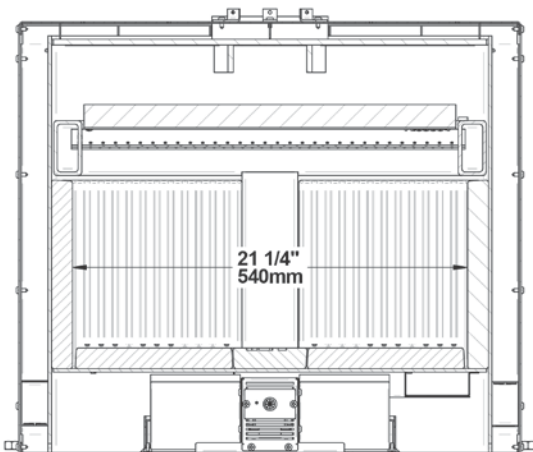
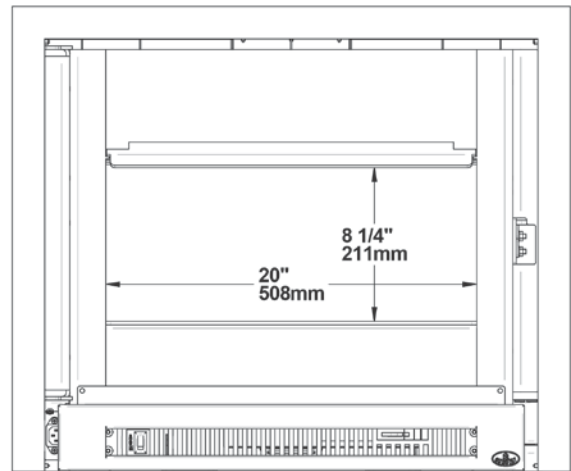
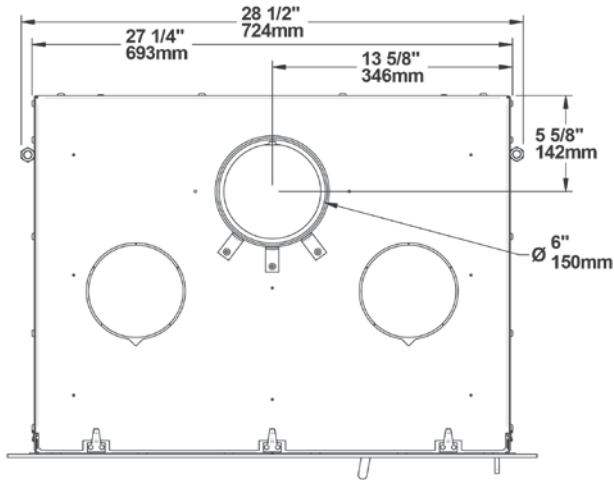
2 GENERAL INFORMATION

2.1 OSBURN INSPIRE 2000-I SPECIFICATIONS

Combustible:	Wood
Heating capacity*	240 m ²
Average peak power– hardwood (Australia):	10.1 kW
Average efficiency – hardwood (Australia):	61 %
Average emissions – hardwood (Australia):	0.8 g/kg
Burn Time*	6 to 8 hours
Color :	Metallic black
Flue Spigot Diameter :	150 mm
Flue system :	Triple skin flue system with Deco-Mesh or liner
Minimum Flue Height (from floor protector):	4.6 meters
Maximum Log Length :	508 mm sideways**
Log loading :	Sideways
Firebox Volume :	0,068 m ³
Weight:	188 kg
Baffle Material	C-Cast

* Burn time and heating capacity may vary subject to location in home, flue system draft, flue system diameter, locality, heat loss factors, climate, fuels and other variables.

** Sideways: through the door you see the sides of the logs.



2.2 ZONE HEATING AND HOW TO MAKE IT WORK FOR YOU

Your new Inspire 2000 wood inbuilt is a space heater, which means it is intended to heat the area it is installed in, as well as spaces that connect to that area, although to a lower temperature. This is called zone heating and it is an increasingly popular way to heat homes or spaces within homes.

Zone heating can be used to supplement another heating system by heating a particular space within a home, such as a basement family room or an addition that lacks another heat source.

Houses of moderate size and relatively new construction can be heated with a properly sized and located wood inbuilt. Whole house zone heating works best when the inbuilt is located in the part of the house where the family spends most of its time. This is normally the main living area where the kitchen, dining and living rooms are located. By locating the inbuilt in this area, you will get the maximum benefit of the heat it produces and will achieve the highest possible heating efficiency and comfort. The space where you spend most of your time will be warmest, while bedrooms and basement (if there is one) will stay cooler. In this way, you will burn less wood than with other forms of heating.

Although the wood inbuilt may be able to heat the main living areas of your house to an adequate temperature, we strongly recommend that you also have a conventional oil, gas or electric heating system to provide backup heating.

Your success with zone heating will depend on several factors, including the correct sizing and location of the wood inbuilt, the size, layout and age of your home and your climate zone. Three-season vacation homes can usually be heated with smaller wood inbuilts than houses that are heated all winter.

2.3 THE BENEFITS OF LOW EMISSIONS AND HIGH EFFICIENCY

The low smoke emissions produced by the special features inside the Inspire 2000-I firebox mean that your household will release up to 90 percent less smoke into the outside environment than if you used an older conventional wood inbuilt. But there is more to the emission control technologies than protecting the environment.

The smoke released from wood when it is heated contains about half of the energy content of the fuel. By burning the wood completely, your wood inbuilt releases all the heat energy from the wood instead of wasting it as smoke up the flue system. Also, the features inside the firebox allow you to reduce the air supply to control heat output, while maintaining clean and efficient flaming combustion, which boosts the efficient delivery of heat to your home.

The emission control and advanced combustion features of your wood inbuilt can only work properly if your fuel is in the correct moisture content range of 15 to 20 percent. See **Section 3** of this manual for suggestions on preparing fuelwood and judging its moisture.

2.4 OSBURN'S COMMITMENT TO YOU AND THE ENVIRONMENT

The Osburn team is committed to protecting the environment, so we do everything we can to use only materials in our products that will have no lasting negative impact on the environment.

2.4.1 WHAT IS YOUR NEW WOOD INBUILT MADE OF?

The body of your wood inbuilt, which is most of its weight, is carbon steel. Should it ever become necessary many years in the future, almost the entire wood inbuilt can be recycled into new products, thus eliminating the need to mine new materials.

The paint coating on your wood inbuilt is very thin. Its VOC content (Volatile Organic Components) is very low. VOCs can be responsible for smog, so all the paint used during the manufacturing process meets the latest air quality requirements with regards to VOC reduction or elimination.

The air tubes are stainless steel, which can also be recycled.

The C-Cast baffle is made of an aluminosilicate fiber material that is compressed with a binder to form a rigid board. C-Cast can withstand temperatures above 1 093 °C (2,000 °F.) It is not considered hazardous waste. Disposal at a landfill is recommended.

Firebrick is mainly composed of silicon dioxide, also known as silica, a product processed from a mined mineral. It is most commonly found in nature in the form of sand and clay. Disposal at a landfill is recommended.

The door and glass gaskets are fibreglass which is spun from melted sand. Black gaskets have been dipped into a solvent-free solution. Disposal at a landfill is recommended.

The door glass is a 4 mm thick ceramic material that contains no toxic chemicals. It is basically made of raw earth materials such as sand and quartz that are combined in such a way to form a glass at high temperatures. Ceramic glass will not re-melt in the same way as normal glass, so it should not be recycled with your regular household products. Disposal at a landfill is recommended.

3 FUEL

3.1 MATERIALS THAT SHOULD NOT BE BURNED

- GARBAGE OF ANY KIND,
- COAL OR CHARCOAL,
- TREATED, PAINTED OR COATED WOOD,
- PLYWOOD OR PARTICLE BOARD,
- FINE PAPER, COLORED PAPER OR CARDBOARD,
- SALT WATER DRIFTWOOD,
- MANUFACTURED LOGS CONTAINING WAX OR CHEMICAL ADDITIVES,
- RAILROAD TIES,
- LIQUIDS SUCH AS KEROSENE OR DIESEL FUEL TO START A FIRE.

3.2 HOW TO PREPARE OR BUY GOOD FIREWOOD

3.2.1 WHAT IS GOOD FIREWOOD?

Good firewood has been cut to the correct length for the wood inbuilt, split to a range of sizes and stacked in the open until its moisture content is reduced to 15 to 20 per cent.

3.2.2 TREE SPECIES

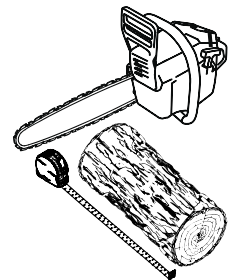
The tree species the firewood is produced from is less important than its moisture content. The main difference in firewood from various tree species is the density of the wood. Hardwoods such as gums, Manuka or ironbark are denser than softwoods. Hard wood will produce long-lasting coal beds combined to more heat and longer burn cycles.

Old, leaky cast iron wood inbuilts wouldn't hold a fire overnight unless they were fed large pieces of hardwood. That is no longer true. You can successfully heat your home by using less wood and give the forest a break at the same time.

3.2.3 LOG LENGTH

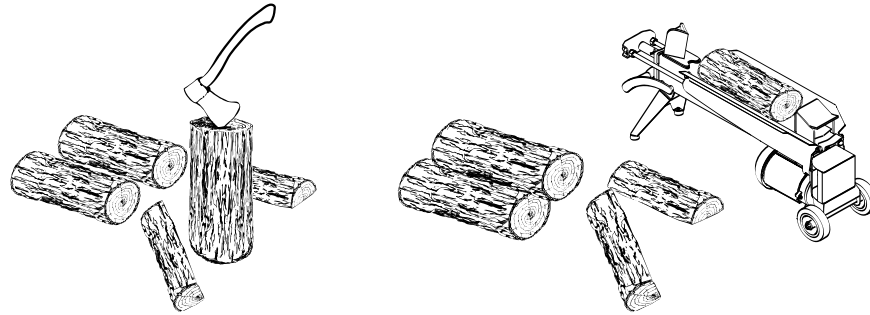
Logs should be cut about 25 mm (1") shorter than the firebox so they fit in easily. Pieces that are slightly too long make loading the wood inbuilt very difficult. The most common standard length of firewood is 400 mm (16").

The pieces should be a consistent length, with a maximum of 25 mm (1") variation from piece to piece.



3.2.4 PIECE SIZE

Firewood dries more quickly when it is split. Large unsplit rounds can take years to dry enough to burn. Even when dried, unsplit logs are difficult to ignite because they don't have the sharp edges where the flames first catch. Logs as small as 75 mm (3") should be split to encourage drying.



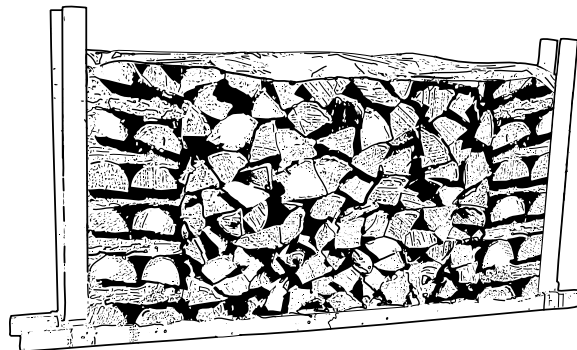
Wood should be split to a range of sizes, from about 75 mm to 150 mm (3" to 6") in cross section. Having a range of sizes makes starting and rekindling fires much easier. Often, the firewood purchased from commercial suppliers is not split finely enough for convenient stoking. It is sometimes advisable to resplit the wood before stacking to dry.

3.2.5 HOW TO DRY FIREWOOD

Firewood that is not dry enough to burn is the cause of most complaints about wood inbuilts. Continually burning green or unseasoned wood produces more creosote and involves lack of heat and dirty glass door. See **Section 5: Maintaining your wood heating system** for concerns about creosote.

Here are some things to consider in estimating drying time:

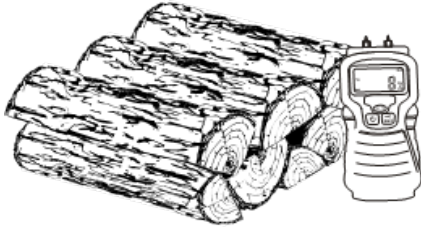
- Firewood takes a long time to dry;
- Firewood bought from a dealer is rarely dry enough to burn, so it is advisable to buy the wood in spring and dry it yourself;
- Drying happens faster in dry weather than in damp, maritime climates;
- Drying happens faster in warm summer weather than in winter weather;
- Small pieces dry more quickly than large pieces;
- Split pieces dry more quickly than unsplit rounds;
- Softwoods take less time to dry than hardwoods;
- Hardwoods like gums, manuka and ironbark can take one, or even two years to dry fully, especially if the pieces are big;
- Firewood dries more quickly when stacked in the open where it is exposed to sun and wind; it takes much longer to dry when stacked in a wood shed;
- Firewood that is ready to burn has a moisture content between 15 and 20% by weight and will allow your wood inbuilt to produce its highest possible efficiency.



3.2.6 JUDGING FIREWOOD MOISTURE CONTENT

You can find out if some firewood is dry enough to burn by using these guidelines:

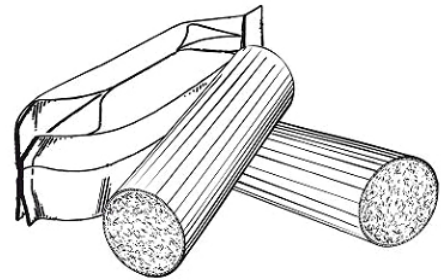
- Cracks form at the ends of logs as they dry;
- As it dries in the sun, the wood turns from white or cream coloured to grey or yellow;
- Bang two pieces of wood together; seasoned wood sounds hollow and wet wood sounds dull;
- Dry wood is much lighter in weight than wet wood;
- Split a piece, and if the fresh face feels warm and dry it is dry enough to burn; if it feels damp, it is too wet;
- Burn a piece; wet wood hisses and sizzles in the fire and dry wood does not.



You could buy a wood moisture meter to test your firewood.

3.3 MANUFACTURED LOGS

Do not burn manufactured logs made of wax impregnated sawdust or logs with any chemical additives. Manufactured logs made of 100% compressed sawdust can be burned but use caution in the number of these logs burned at one time. Start with one manufactured log and see how the wood inbuilt reacts. You can increase the number of logs burned at a time to making sure the temperature never rises higher than 246 °C (475 °F) on a magnetic thermometer for installation on wood inbuilt flue. The thermometer should be placed about 450 mm (18") above the wood inbuilt. Higher temperatures can lead to overheat and damage your wood inbuilt.



4 OPERATING YOUR WOOD INBUILT

- **NEVER OVERFIRE YOUR WOOD INBUILT. IF ANY PART OF THE WOOD INBUILT STARTS TO GLOW RED, OVER FIRING IS HAPPENING. READJUST THE AIR INTAKE CONTROL AT A LOWER SETTING.**
- **NEVER LOAD YOUR WOOD INBUILT UP TO THE BAFFLE. ALWAYS LEAVE 5 TO 10 CENTIMETERS TO ALLOW PROPER COMBUSTION THROUGH SECONDARY AIR OPENINGS (NEVER PUT WOOD ABOVE THE FIREBRICK LINING ON THE FIREBOX). THIS WILL ALSO PREVENT OVERFIRING OF YOUR WOOD INBUILT.**
- **SHOULD THERE BE A SOOT OR CREOSOTE FIRE IN YOUR FLUE SYSTEM, CLOSE THE AIR CONTROL COMPLETELY. IMMEDIATELY CALL THE FIRE DEPARTMENT.**

4.1 YOUR FIRST FIRES

Two things will happen as you burn your first few fires; the paint cures and the internal components of the wood inbuilt are conditioned.

As the paint cures, some of the chemicals vaporize. The vapors are not poisonous, but they do smell bad. Fresh paint fumes can also cause false alarms in smoke detectors. So, when you first light your wood inbuilt, be prepared by opening doors and/or windows to ventilate the house. As you burn hotter and hotter fires, more of the painted surfaces reach the curing temperature of the paint. The smell of curing paint does not disappear until you have burned one or two very hot fires.

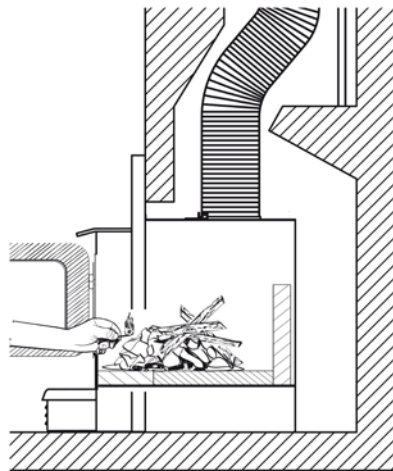
Burn one or two small fires to begin the curing and conditioning process. Then build bigger and hotter fires until there is no longer any paint smell from the wood inbuilt. Once the paint smell disappears, your wood inbuilt is ready for serious heating.

4.2 LIGHTING FIRES

Each person who heats with wood develops their own favorite way to light fires. Whatever method you choose, your goal should be to get a hot fire burning quickly. A fire that starts fast produces less smoke and deposits less creosote in the flue system. Here are three popular and effective ways to start wood inbuilts.

4.2.1 CONVENTIONAL FIRE STARTING

The conventional way to build a wood inbuilt is to bunch up 5 to 10 sheets of plain newspaper and place them in the firebox. Next, place 10 or so pieces of fine kindling on the newspaper. This kindling should be very thin; less than 25 mm (1"). Next, place some larger kindling pieces on the fine kindling. Open the air control fully and light the newspaper. If you have a tall, straight flue system you should be able to close the door immediately and the fire will ignite. If your flue has elbows or an outside flue system, you may need to leave the door closed but unlatched for a few minutes as the newspaper ignites and heat in the flue system produces some draft. Once the fire has ignited, close the door and leave the air control fully open.



A conventional kindling fire with paper under finely split wood.

DO NOT LEAVE THE WOOD INBUILT UNATTENDED WHEN THE DOOR IS SLIGHTLY OPENED DURING IGNITION. ALWAYS CLOSE THE DOOR AFTER IGNITION.

After the kindling fire has mostly burned, you can add standard firewood pieces until you have a fire of the right size for the conditions.

4.2.2 THE TOP DOWN FIRE

The top down fire method solves two problems with the conventional method: first, it does not collapse and smother itself as it burns; and second, it is not necessary to build up the fire gradually because the firebox is loaded before the fire is lit. A top down fire can provide up to two hours of heating or more. The top down method only works properly if the wood is well-seasoned.

Start by placing three or four full-sized split pieces of dry firewood in the firebox. Next, place 4 or 5 more finely split pieces of firewood (50 mm to 75 mm [2" to 3"] in dia.) on the base logs at right angles (log cabin style). Now place about 10 pieces of finely split kindling on the second layer at right angles.

The fire is topped with about 5 sheets of newspaper. You can just bunch them up and stuff them in between the kindling and the underside of the baffle. Or you can make newspaper knots by rolling up single sheets corner to corner and tying a knot in them. The advantage of knots is that they don't roll off the fire as they burn. Light the newspaper and watch as the fire burns from top to bottom.

4.2.3 TWO PARALLEL LOGS

Place two spit logs in the firebox. Place a few sheets of twisted newspaper between the logs. Now place some fine kindling across the two logs and some larger kindling across those, log cabin style. Light the newspaper.

4.2.4 USING FIRE STARTERS

Many people like to use commercial fire starters instead of newspaper. Some of these starters are made of sawdust and wax and others are specialized flammable solid chemicals. Follow the package directions for use.

Gel starter may be used but only if there are no hot embers present. Use only in a cold firebox to start a fire.

DO NOT USE FLAMMABLE LIQUIDS SUCH AS GASOLINE, NAPHTHA, FUEL OIL, MOTOR OIL, OR AEROSOLS TO START OR REKINDLE THE FIRE.

4.3 MAINTAINING WOOD FIRES

4.3.1 GENERAL ADVICE

Wood heating with a space heater is very different than other forms of heating. There will be variations in the temperature in different parts of the house and there will be variations in temperature throughout the day and night. This is normal, and for experienced wood burners these are advantages of zone heating with wood.

Do not expect steady heat output from your wood inbuilt. It is normal for its surface temperature to rise after a new load of wood is ignited and for its temperature to gradually decline as the fire progresses. This rising and falling of temperature can be matched to your household routines. For example, the area temperature can be cooler when you are active, such as when doing housework or cooking, and it can be warmer when you are inactive, such as when reading or watching television.

Wood burns best in cycles. A cycle starts when a new load of wood is ignited by hot coals and ends when that load has been consumed down to a bed of charcoal about the same size as it was when the wood was loaded. Do not attempt to produce a steady heat output by placing a single log on the fire at regular intervals. Always place at least three, and preferably more, pieces on the fire at a time so that the heat radiated from one piece helps to ignite the pieces next to it. Each load of wood should provide several hours of heating. The size of each load can be matched to the amount of heat needed.

When you burn in cycles, you rarely need to open the wood inbuilt's loading door while the wood is flaming. This is an advantage because there is more chance that smoke will leak from the wood inbuilt when the door is opened as a full fire is burning.

IF YOU MUST OPEN THE DOOR WHILE THE FUEL IS FLAMING, OPEN THE AIR CONTROL FULLY FOR A FEW MINUTES, THEN UNLATCH AND OPEN THE DOOR SLOWLY.

4.3.2 ASH REMOVAL

Ash should be removed from the firebox every two or three days of full time heating. Do not let the ash build up in the firebox because it will interfere with proper fire management.

The best time to remove ash is after an overnight fire when the wood inbuilt is relatively cool, but there is still some flue system draft to draw the ash dust into the wood inbuilt and prevent it from coming into the room.

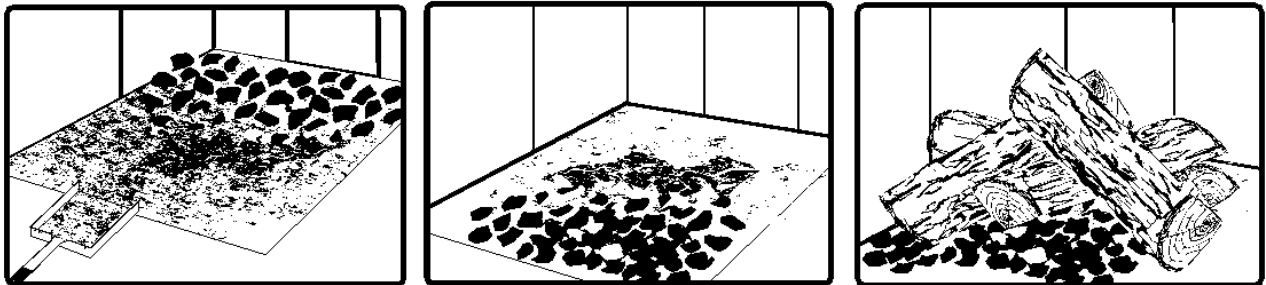
NOTE: The blower should be turned in "OFF" position prior to ash removal to avoid ashes to be pulled towards the inbuilt and then pushed into the room. See section **4.4 - Blower Operation** for correct switch positioning.

After ashes have been removed from the wood inbuilt and placed in a tightly covered metal container, they should be taken outside immediately. The closed container of ashes should be placed on a non-combustible floor or on the ground well away from all combustible materials pending final disposal. Ashes normally contain some live charcoal that can stay hot for several days. If the ashes are disposed of by burial in soil or otherwise locally dispersed, they should be retained in the closed container until all cinders have thoroughly cooled. Other waste shall not be placed in this container.

NEVER STORE ASHES INDOORS OR IN A NON-METALIC CONTAINER OR ON A WOODEN DECK.

4.3.3 RAKING CHARCOAL

Rekindle the fire when you notice that the room temperature has fallen. You will find most of the remaining charcoal at the back of the firebox, furthest from the door. Rake these coals towards the door before loading. There are two reasons for this raking of the coals. First, it concentrates them near where most of the combustion air enters the firebox and where they can ignite the new load quickly, and second, the charcoal will not be smothered by the new load of wood. If you were to simply spread the charcoal out, the new load will smoulder for a long time before igniting.



Remove ash first, and then rake charcoal towards the front of the firebox before loading so that it will ignite the new load.

4.3.4 FIRING EACH NEW LOAD HOT

Place the new load of wood on and behind the charcoal and not too close to the glass. Close the door and open the air control fully. Leave the air control fully open until the firebox is full of flames, the wood has charred to black and its edges are glowing red. Firing each load of wood hot accomplishes a few things:

- Drives the surface moisture from the wood,
- Creates a layer of char on the wood, which slows down its release of smoke,
- Heats the firebox components so they reflect heat back to the fire, and
- Heats the flue system so it can produce strong, steady draft for the rest of the cycle.

Although it is important to fire each new load hot to prepare for a clean burn, do not allow the fire to burn at full intensity for more than a few minutes.

DO NOT LEAVE THE WOOD INBUILT UNATTENDED WHILE A NEW LOAD IS BEING FIRED HOT.

DO NOT OVERFIRE.

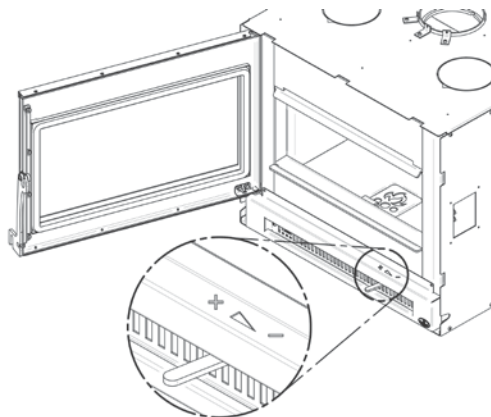
When you burn a new load of wood hot to heat up the wood, the wood inbuilt and the flue system, the result will be a surge of heat from the wood inbuilt. This heat surge is welcome when the room temperature is a little lower than desirable, but not welcome if the space is already warm. Therefore, allow each load of wood to burn down so that the space begins to cool off a little before loading. Letting the space cool before loading is one of the secrets to clean burning and effective zone heating.

4.3.5 TURNING DOWN THE AIR SUPPLY

Once the firewood, firebox and flue system are hot, you can begin to reduce the air supply for a steady burn.

As you reduce the air supply to the fire, two important things happen. First, the firing rate slows down to spread the heat energy in the fuel over a longer period of time. Second, the flow rate of exhaust through the wood inbuilt and flue slows down, which gives more time for the transfer of heat from the exhaust. You will notice that as you reduce the air setting, the flames slow down. This is your indication that the wood inbuilt is burning at its peak efficiency.

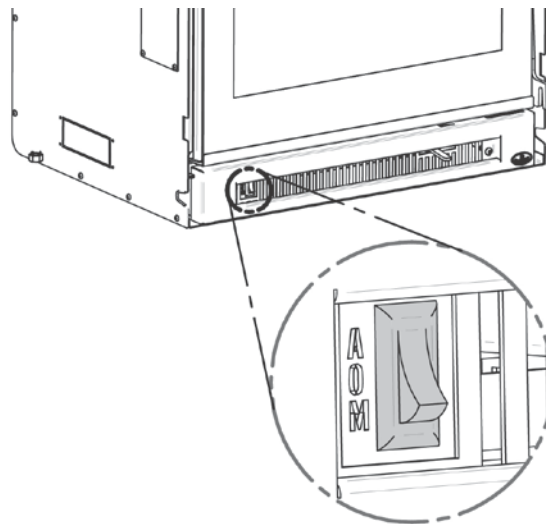
If the flames get small and almost disappear when you turn down the air, you have turned down the air too early, or your firewood is wetter than it should be. With good fuel and correct air control use, the flames should slow down, but should stay large and steady, even as the air supply is reduced.



4.4 BLOWER OPERATION

Allow the wood inbuilt to reach operating temperature (approximately one hour), before turning on the blower, since increased airflow from the blower will remove heat and affect the start-up combustion efficiency.

The wood inbuilt's blower assembly is equipped with a heat sensor. Therefore, you can leave the switch in the automatic position **(A)**. The blower will start automatically when the wood inbuilt is hot enough and it will stop when the wood inbuilt has cooled down. You can also set the switch to the manual position **(M)** to operate the blower at any time. Select the position **(O)** to manually stop the blower.



NOTE: ENSURE THE BLOWER CORD IS NOT IN CONTACT WITH ANY SURFACE OF THE WOOD INBUILT TO PREVENT ELECTRICAL SHOCK OR FIRE DAMAGE. DO NOT RUN CORD UNDERNEATH THE WOOD INBUILT.

4.4.1 BUILDING DIFFERENT FIRES FOR DIFFERENT NEEDS

Using the air control is not the only way to match the wood inbuilt's heat output to the heat demand. Your house will need far less heat in April than in July to be kept at a comfortable temperature. If you fill the firebox full in fall weather, you will either overheat the space or turn the wood inbuilt down so much that the fire will be smoky and inefficient. Here are some suggestions for building fires to match different heat demand.

4.4.1.1 Small Fires to Take the Chill Off the House

To build a small fire that will produce a low heat output, use small pieces of firewood and load them crisscross in the firebox. The pieces should be only 75 mm to 100 mm in diameter. After raking the coals, you can lay two pieces parallel to each other corner to corner in the firebox and lay two more across them in the other direction. Open the air control fully and only reduce the air after the wood is fully flaming. This kind of fire is good for mild weather when you are around to tend the wood inbuilt and should provide enough heat for four hours or more. Small fires like this are a good time to use softer wood species so there will be less chance of overheating the house.

4.4.1.2 Long Lasting Low Output Fires

Sometimes you will want to build a fire to last up to eight hours, but don't need intense heat. In this case use smaller pieces of hardwood and place the logs compactly in the firebox so the pieces are packed tightly together. You will need to fire the load hot for long enough to fully char the log surfaces before you can turn the air down. Make sure the fire is flaming brightly before leaving the fire to burn.

4.4.1.3 High Output Fires for Cold Weather

When the heat demand is high during cold weather, you'll need a fire that burns steadily and brightly. This is the time to use your biggest pieces of hardwood fuel if you have it. Put the biggest pieces at the back of the firebox and place the rest of the pieces compactly. A densely built fire like this will produce the longest burn your wood inbuilt is capable of.

You will need to be cautious when building fires like this because if the air is turned down too much, the fire could smoulder. Make sure the wood is flaming brightly before leaving the fire to burn. The wood should be positioned in a north/south fashion, that is, from the front to the back of the firebox.

4.4.1.4 Maximum Burn Cycle Times

The burn cycle time is the period between loading wood on a coal bed and the consumption of that wood back to a coal bed of the same size. The flaming phase of the fire lasts for roughly the first half of the burn cycle and the second half is the coal bed phase during which there is little or no flame. The length of burn you can expect from your wood inbuilt, including both the flaming and coal bed phases, will be affected by a number of things, such as:

- Firebox size,
- The amount of wood loaded,
- The species of wood you burn,
- The wood moisture content,
- The size of the space to be heated,
- The climate zone you live in, and
- The time of year.

The table below provides a very general indication of the maximum burn cycle times you are likely to experience, based on firebox volume.

FIREBOX VOLUME	MAXIMUM BURN TIME
< 0.042 cubic meter	3 to 5 hours
0.042 m ³ to 0.056 m ³	5 to 6 hours
0.056 m ³ to 0.071 m ³	6 to 8 hours
0.071 m ³ to 0.085 m ³	8 to 9 hours
> 0.085 m ³	9 to 10 hours

Long burn times are not necessarily an indication of efficient wood inbuilt operation. When you are home during the day and able to tend the fire, it is preferable to build a smaller fire that might provide three or four hours of heating than to fully load the firebox for a much longer burn. Shorter burn cycles make it easier to match the heat output of the wood inbuilt to the heat demand of the space.

5 MAINTAINING YOUR WOOD HEATING SYSTEM

5.1 WOOD INBUILT MAINTENANCE

Your new wood inbuilt will give many years of reliable service if you use and maintain it correctly. Some of the internal components of the firebox, such as firebricks, baffles and air tubes, will wear over time under intense heat. You should always replace defective parts with original parts (see **Appendix 6: Exploded Diagram and Parts List**). For firing each load hot to begin a cycle as described above will not cause premature deterioration of the wood inbuilt. However, letting the wood inbuilt run with the air control fully open for entire cycles can cause damage over time. The hotter you run the wood inbuilt throughout burn cycles, the more quickly its components will deteriorate. For that reason, **never leave the wood inbuilt unattended while a new load is being fired hot.**

5.1.1 CLEANING DOOR GLASS

Under normal conditions, your door glass should stay relatively clear. If your firewood is dry enough and you follow the operating instructions in this manual, a whitish, dusty deposit will form on the inside of the glass after a week or so of use. This is normal and can be easily removed when the wood inbuilt is cool by wiping with a damp cloth or paper towel and then drying. **Never try to clean the glass when the wood inbuilt is hot.**

In spring and fall when the wood inbuilt is run at lower temperatures, you may see some light brown stains forming, especially at the lower corners of the glass. This indicates that the fire has been smoky and some of the smoke has condensed on the glass. When the weather is mild, you may find that letting the fire go out is better than trying to maintain a continuous fire. Use the technique described above for building a fire to take the chill off the house.

If you do get brown stains on the glass you can remove them with special cleaners for wood inbuilt glass doors. **Do not use abrasives to clean your wood inbuilt's door glass.**

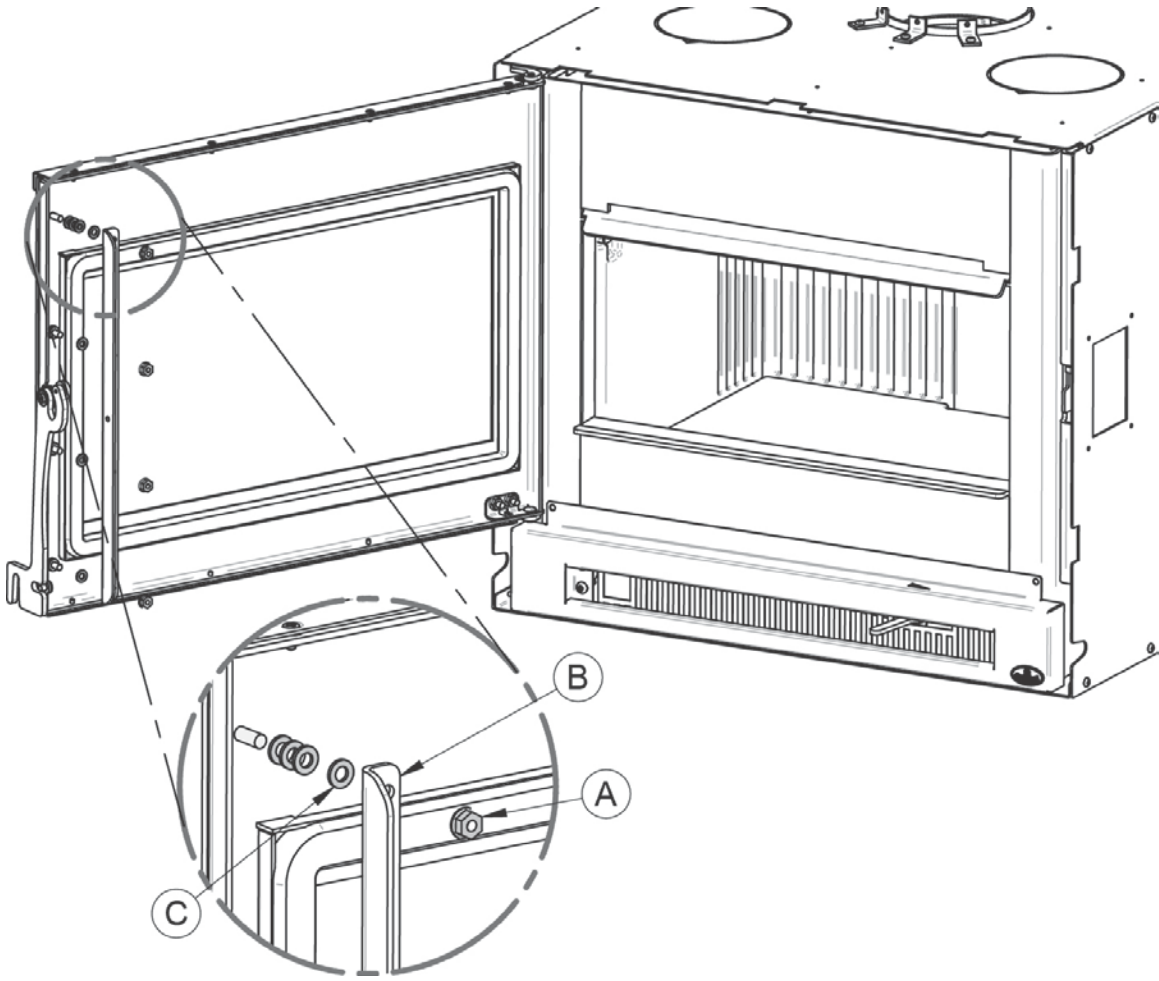
The deposits that form on the glass are the best indication of the quality of your fuel and how well you are doing in operating the wood inbuilt. Your goal should be clear glass with no brown stains. If you continue to see brown stains on the glass, something about your fuel and operating procedure needs to be changed. Stains on the glass indicate incomplete combustion of the wood, which also means more smoke emissions and faster formation of creosote in the flue system.

If you see brown streaks coming from the edge of the glass, it is time to replace the gasket around the glass. Visit your wood inbuilt retailer to get the self-adhesive glass gasket and follow the instructions below for installation.

5.1.2 DOOR ADJUSTMENT

For your wood inbuilt to burn at its best efficiency, the door must provide a perfect seal with the firebox. Therefore, the gasket should be inspected periodically making sure to obtain an air tight fit. Airtightness can be improved with a simple adjustment.

To increase or reduce the pressure on the gasket, open the door and unscrew the four nuts **(A)** holding the bracket **(B)** in place. To increase the pressure on the gasket, remove as much washers **(C)** as necessary. To reduce the pressure on the door, add washers **(C)**. Reinstall the bracket **(B)** with the nuts **(A)**.

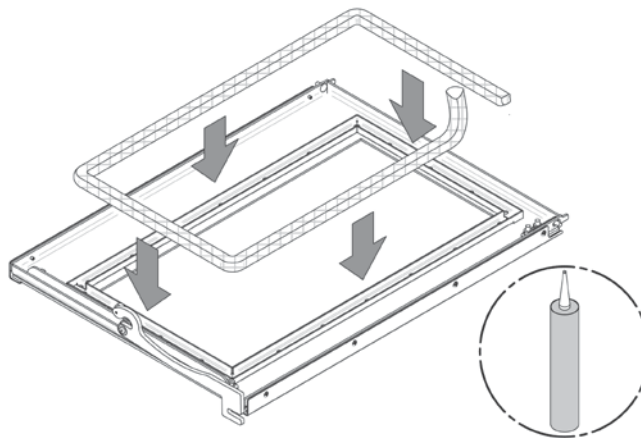


5.1.3 REPLACING THE DOOR GASKET

It is important to maintain the gasket in good condition. After a year or more of use, the door gasket will compress and become hard, which may allow air to leak past it. You can test the condition of the door gasket by closing and latching the door on a strip of paper. Test all around the door. If the paper slips out easily anywhere, it is time to replace the gasket.

Use the correct replacement gasket that you can purchase from your retailer. The diameter and density of the gasket is important to getting a good seal.

Place the door face-down on something soft like a cushion of rags or piece of carpet. Remove the old gasket from the door by pulling and prying it out with an old screw driver. Then use the screwdriver to scrape the old gasket adhesive from the door. Now run a 6 mm (1/4") bead of high temperature silicone in the door gasket groove. Press the gasket into the groove. Do not stretch the gasket as you place it. Leave the gasket about 12 mm (1/2") long when you cut it and press the end into the groove. Tuck any loose fibres under the gasket and into the silicone. Close the door and do not use the wood inbuilt for 24 hours.



Location	Length	Dimension
Door frame	79" (201 cm)	Round 7/8" (22 mm)

5.1.4 REPLACING THE GLASS OR THE GLASS GASKET

The glass used in the Inspire 2000-I is 4 mm thick of dimension: 24 13/16" (630 mm) x 18 1/2" (470 mm) and tested to reach temperatures up to 1400° F. If the glass breaks, it must be replaced with one having the same specification. Contact your Osburn dealer to obtain a genuine replacement part (see **Exploded Diagram and Parts List, in appendix 6** to get the proper part number).

WARNING: TEMPERED GLASS OR ORDINARY GLASS WILL NOT WITHSTAND THE HIGH TEMPERATURES OF THIS WOOD INBUILT.

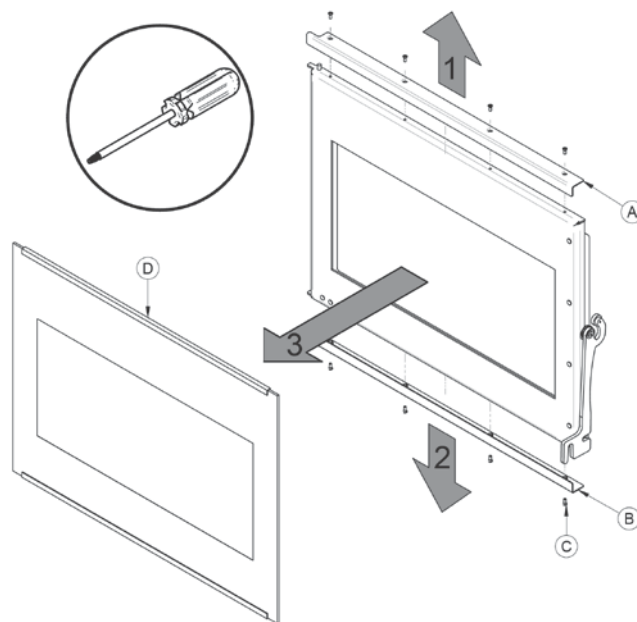
WARNING: DO NOT ABUSE THE GLASS DOOR BY SLAMMING IT AGAINST THR FIREPLACE.

WARNING: DO NOT OPERATE THE FIREPLACE WITH A CRACKED OR BROKEN GLASS.

To replace the glass, use the following procedure

1. Remove the door from its hinges and lay it on a soft, flat surface.
2. Remove the upper glass retainer (A) and the lower glass retainer (B) held in place by the screws (C).
3. Remove glass (D).
4. Repeat the steps in reverse order to install the new glass.

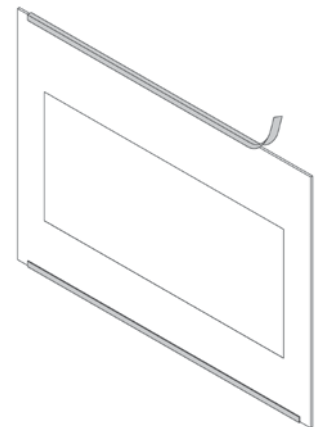
Do not over-tighten the screws. The two main causes of broken door glass are uneven placement in the door and over-tightening of retaining screws.



To replace the glass gasket, center the gasket on the edge of the glass. To do this easily, peel back a section of the paper covering the adhesive and place the gasket on a table with the adhesive side up.

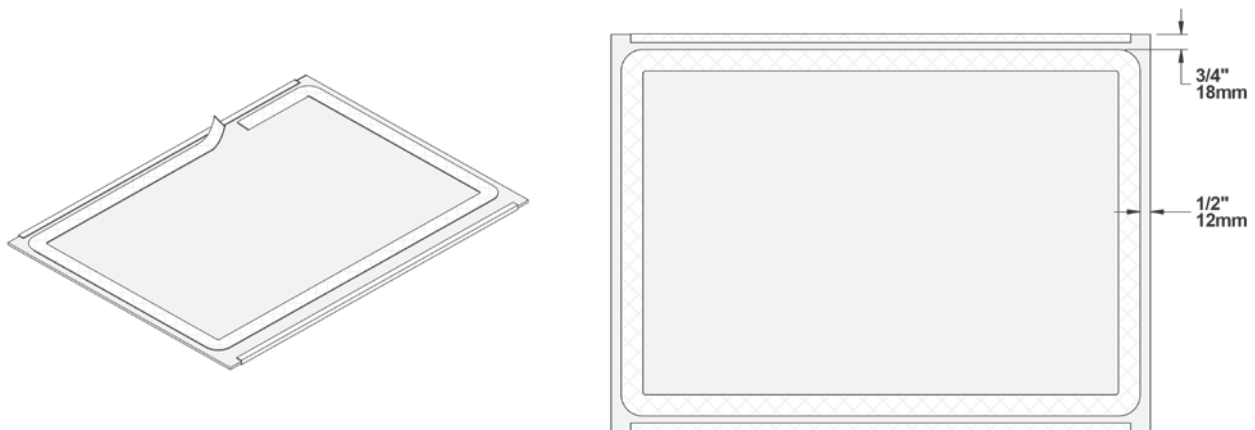
Stick the end of the gasket to the middle of one edge, then press the edge of the glass down onto the gasket, taking care that it is perfectly centered on the gasket.

Do not stretch the gasket as you place it. Trim the gasket to length. Now pinch the gasket to the glass in a U shape. Reinstall the glass, following the "Replace the glass" steps above.



Location	Length	Dimensions
Top and bottom	25" (63,5 cm) (2X)	"U" shaped self-adhesive
Behind the glass	76" (192 cm)	Flat, self-adhesive (1/8" X 1")

Another glass gasket is located at the back of the glass. When replace in the glass or as needed, install according to following illustrations.



Reinstall the glass, following the “Replace the glass” steps above.

Do not abuse the glass door by striking or slamming shut. Do not use the wood inbuilt if the glass is broken. To change the glass, perform the same operation described above.

5.1.5 CLEANING AND PAINTING THE WOOD INBUILT

Do not attempt to clean or paint the wood inbuilt when the unit is hot. Painted surfaces can be wiped down with a damp cloth. Plated surfaces may be scratched by abrasive cleaners. To maintain the finish at its original brilliance, use only a damp soft cloth to clean plated surfaces.

If the paint becomes scratched or damaged, you can give your wood inbuilt a brand-new look by repainting it with heat-resistant paint. Before painting, roughen the surface with fine sand paper, wipe it down to remove dust, and apply two thin coats of paint. For best results, use the same paint that was originally used on the wood inbuilt, which is available in spray cans. See your dealer for details.

5.2 FLUE AND FLUE LINER MAINTENANCE

5.2.1 WHY FLUE SYSTEM CLEANING IS NECESSARY

Wood smoke can condense inside the flue and flue system, forming a combustible deposit called creosote. If creosote is allowed to build up in the flue system, it can ignite when a hot fire is burned in the wood inbuilt and a very hot fire can progress to the top of the flue system. Severe flue system fires can damage even the best flue systems. Smouldering, smoky fires can quickly cause a thick layer of creosote to form. When you avoid smouldering so the exhaust from the flue system is mostly clear, creosote builds up more slowly. Your new wood inbuilt has the right characteristics to help you to burn clean fires with little or no smoke, resulting in less creosote in the flue system.

5.2.2 HOW OFTEN SHOULD YOU CLEAN THE FLUE SYSTEM?

It is not possible to predict how much or how quickly creosote will form in your flue system. It is important, therefore, to check the build-up in your flue system monthly when getting used to the new wood inbuilt until you determine the rate of creosote formation. Even if creosote forms slowly in your system, the flue system should be cleaned and inspected at least once each year.

Contact your local municipal or provincial fire authority for information on how to handle a flue system fire. Have a clearly understood plan to handle a flue system fire.

5.2.3 CLEANING THE FLUE SYSTEM

Flue system cleaning can be a difficult and dangerous job. If you don't have experience cleaning flue systems, you might want to hire a professional flue system sweep to clean and inspect the system for the first time. After having seen the cleaning process, you can decide if it is a job you would like to take on.

The most common equipment used are fiberglass rods with threaded fittings and stiff plastic brushes. The brush is forced up and down inside the flue system to scrub off the creosote.

The flue system should be checked regularly for creosote build-up. Inspection and cleaning of the flue system can be facilitated by removing the baffle.



CAUTION: OPERATION OF YOUR INSPIRE 2000-I WOOD INBUILT WITHOUT THE BAFFLE MAY CAUSE UNSAFE AND HAZARDOUS TEMPERATURE CONDITIONS AND WILL VOID THE WARRANTY.

NOTE: Before installing the firebrick, check to ensure that none are broken or damaged in any way. If so, have the damaged ones replaced. Check the firebrick for damage at least annually and replace any broken or damaged ones with new ones.

PART B – INSTALLATION

6 PRE-INSTALLATION REQUIREMENTS

6.1 MASONRY FIREPLACE

The masonry fireplace must meet the minimum requirements found in the building code enforced locally, or the equivalent for a safe installation. Contact your local Building Inspector for requirements in your area. An inspection of the fireplace should include the following:

1. **CONDITION OF THE FIREPLACE AND FLUE SYSTEM:**

The masonry fireplace and flue system should be inspected prior to installation, to determine that they are free from cracks, loose mortar, creosote deposits, blockage, or other signs of deterioration. If evidence of deterioration is noted, the fireplace or flue system should be upgraded and/or cleaned prior to installation.

Masonry or steel, including the damper plate, may be removed from the smoke shelf and adjacent damper frame if necessary to accommodate the wood inbuilt's flue liner, provided that their removal will not weaken the structure of the fireplace and flue system, and will not reduce protection for combustible materials to less than that required by the building code.

2. **FLUE SYSTEM CAPS:**

Mesh type flue system caps must have provision for regular cleaning, or the mesh should be removed to eliminate the potential of plugging.

3. **ADJACENT COMBUSTIBLES:**

The fireplace should be inspected to make sure that there is adequate clearance to combustibles, both exposed combustibles to the top, side, and front as well as concealed combustibles, in the flue system and mantle area. Your local inspector should have information on whether older fireplaces are of adequate construction.

4. **OPENING SIZE:**

Refer to "**MINIMUM MASONRY OPENING**" (Section 8.3) for suitable size fireplace openings.

6.2 ZERO-CLEARANCE KIT

INSTALLATION INTO AN EXISTING FACTORY-BUILT ZERO-CLEARANCE FIREPLACE: A 'built-in' appliance is designed to be in contact with or built into a heat sensitive structure within a building. These types of appliances must be tested in a laboratory in accordance with AS/NZS 2918 to ensure their compliance with safety requirements. There is no such thing as a 'standard' (untested) built-in appliance. As each model or appliance may have markedly different installation clearances and instructions, it is extremely important to follow the manufacturer's installation instructions, which are based on the laboratory tests results. **The Inspire 2000-I inbuilt can only be installed with the Inspire 2000 zero-clearance kit (sold separately).** See installation instructions provided with the kit.

7 SAFETY INFORMATION

- DISCONNECT THE BLOWER'S ELECTRIC POWER BEFORE SERVICING.
- THE INFORMATION GIVEN ON THE CERTIFICATION LABEL AFFIXED TO THE APPLIANCE ALWAYS OVERRIDES THE INFORMATION PUBLISHED, IN ANY OTHER MEDIA (OWNER'S MANUAL, CATALOGUES, FLYERS, MAGAZINES AND/OR WEB SITES).
- MIXING OF APPLIANCE OR FLUE-SYSTEM COMPONENTS FROM DIFFERENT SOURCES OR MODIFYING COMPONENTS MAY RESULT IN HAZARDOUS CONDITIONS. WHERE ANY SUCH CHANGES ARE PLANNED, THE MANUFACTURER SHOULD BE CONTACTED IN ADVANCE.
- CONNECT THIS WOOD INBUILT ONLY TO A TRIPLE SKIN FLUE SYSTEM WITH DECO-MESH FOR USE WITH SOLID FUEL OR TO A LINED MASONRY FLUE SYSTEM CONFORMING TO NATIONAL AND LOCAL BUILDING CODES.
- USE SMOKE DETECTORS IN THE ROOM WHERE YOUR WOOD INBUILT IS INSTALLED.
- IF REQUIRED, A SUPPLY OF COMBUSTION AIR SHALL BE PROVIDED TO THE ROOM OR SPACE.
- KEEP FURNITURE AND DRAPES WELL AWAY FROM THE WOOD INBUILT.
- DO NOT CONNECT TO OR USE IN CONJUNCTION WITH ANY AIR DISTRIBUTION DUCTWORK UNLESS SPECIFICALLY APPROVED FOR SUCH INSTALLATION.
- DO NOT CONNECT THIS UNIT TO A FLUE OR FLUE SYSTEM SERVING ANOTHER APPLIANCE.
- THE WOOD INBUILT AND ITS STAINLESS-STEEL FLUE LINER ARE TO BE INSTALLED ONLY WITHIN A LINED MASONRY FLUE SYSTEM AND MASONRY FIREPLACE CONFORMING TO BUILDING CODES FOR USE WITH SOLID FUEL. DO NOT REMOVE BRICKS OR MORTAR FROM THE EXISTING FIREPLACE WHEN INSTALLING THE WOOD INBUILT.

7.1 REGULATIONS COVERING WOOD INBUILT INSTALLATION

IT IS RECOMMENDED THAT THE INSTALLATION OF YOUR OSBURN WOOD INBUILT BE CARRIED OUT BY A QUALIFIED SPECIALIST INSTALLER. IF ANY ELECTRICAL WORK IS REQUIRED, IT MUST BE CARRIED OUT BY A LICENSED ELECTRICIAN.

WARNING: The instructions pertaining to the installation of your wood inbuilt comply with the AS/NZS 2918:2001 standard. **THE APPLIANCE AND FLUE SYSTEM MUST THEREFORE BE INSTALLED IN ACCORDANCE WITH AS/NZS 2918:2001 AND THE APPROPRIATE REQUIREMENTS OF THE RELEVANT BUILDING CODE OR CODES.**

WARNING: APPLIANCES INSTALLED IN ACCORDANCE WITH THIS STANDARD SHALL COMPLY WITH THE REQUIREMENTS OF AS/NZS 4012/4013 (1999) WHERE REQUIRED BY THE

REGULATORY AUTHORITY, I.E. THE APPLIANCE SHALL BE IDENTIFIABLE BY A COMPLIANCE PLATE WITH THE MARKING “TESTED TO AS/NZS 4012/4013 (1999)”.

ANY MODIFICATION OF THE APPLIANCE THAT HAS NOT BEEN APPROVED IN WRITING BY THE TESTING AUTHORITY IS IN BREACH OF THE APPROVAL GRANTED FOR COMPLIANCE WITH AS/NZS 4012/4013 (1999).

NOTE: The wood inbuilt is not approved for use with a so-called “positive flue connection” to the clay tile of a masonry flue system.

8 CLEARANCES TO HEAT-SENSITIVE MATERIALS

The clearances shown in this section have been determined by test according to procedures set out in safety standards AS/NZS 2918:2001. When the wood inbuilt is installed so that its surfaces are at or beyond the minimum clearances specified, combustible surfaces will not overheat under normal and even abnormal operating conditions.

No part of the wood inbuilt may be located closer to combustibles than the minimum clearance figures given.

8.1 LOCATION OF THE CERTIFICATION LABEL

Since the information given on the certification label affixed to the appliance always overrides the information published, in any other media (owner’s manual, catalogues, flyers, magazines and/or web sites) it is important to refer to it in order to have a safe and compliant installation. In addition, you will find information about your wood inbuilt (model, serial number, etc.). You can find the certification label on the side, towards the front of the outside of the air jacket of the inbuilt.

To access the certification label, the faceplate may need to be removed. Therefore, we recommend that you note the wood inbuilt’s serial number on this manual, since it will be needed to precisely identify the version of the appliance in the event you require replacement parts or technical assistance.

8.2 POSITIONING THE UNIT

It is necessary to have a floor protection made of non-combustible materials that meets the measurements specified in table **FLOOR PROTECTION, page 33**. To determine the need to add floor protection (**D**) beyond the hearth extension, you must do the following calculation using the data in Table **Data for Floor Protection Calculation**

, **page 32** of this section: $D = B - (A - C)$. If the value (**D**) is negative or zero, you do not have to add more floor protection in front of the unit, because the masonry fireplace hearth extension is large enough. If the value (**D**) is positive, you will need floor protection in front of the hearth extension at least equivalent to the result (**D**).

Here is a sample calculation to determine the need to add a non-combustible materials floor protection. For someone whose wood inbuilt would protrude 76 mm into the room (C) the calculation would be:

$$\text{Value D} = \text{B} - (\text{A} - \text{C})$$

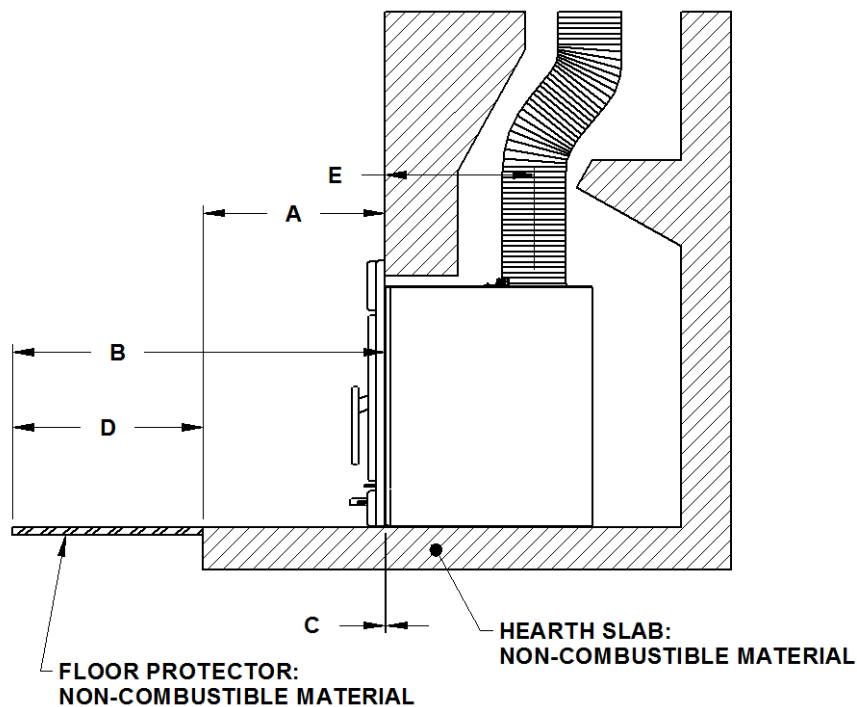
$$\text{Value D} = 500 \text{ mm} - (416 \text{ mm} - 76 \text{ mm})$$

$$\text{Value D} = 500 \text{ mm} - 340 \text{ mm}$$

$$\text{Value D} = \mathbf{160 \text{ mm}}$$

Non-combustible floor protection of at least **160 mm** in depth must be installed in front of the fireplace hearth extension.

A minimum 520mm deep x 684mm wide x 45mm thick floor protector (Bellis board) should be used under the appliance (clay bricks are acceptable if the fireplace is already lined), a minimum 908 mm wide x 700mm deep x 24mm thick floor protector (Bellis board) must be used in front of the appliance base when installing the appliance. The floor protector should extend 700mm in front of each appliance base and be placed centrally in the 908 mm width. The Thermal conductivity of the floor protector is 0.1m².K/W for 9mm thick sheets.

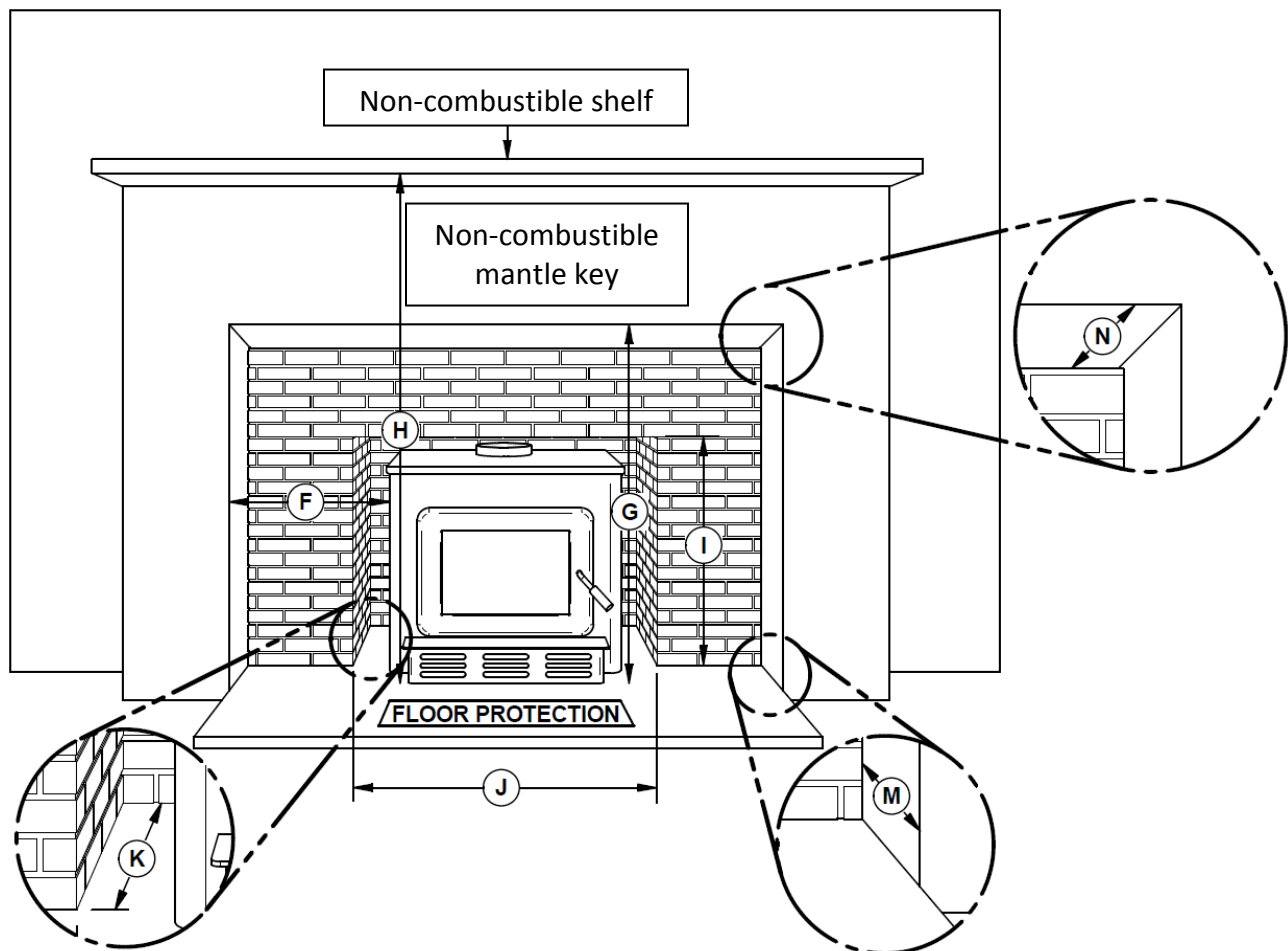


The standard configuration of the wood inbuilt leaves no projection of the convection air jacket in front of the fireplace opening. Therefore, the minimum projection is 0". The choice of the configuration will depend on, the previous installation instructions and compliance with building code. To determine the minimum and maximum projection of the wood inbuilt, refer to table **Data for floor protection calculation**.

Data for Floor Protection Calculation

MINIMUM EXTENDED	A	B (Note 1)	C	D	AIR JACKET
MILLIMETRES	Dimension of the hearth extension	700 mm	0 mm	$D = B - (A - C)$	Flush with fireplace facing

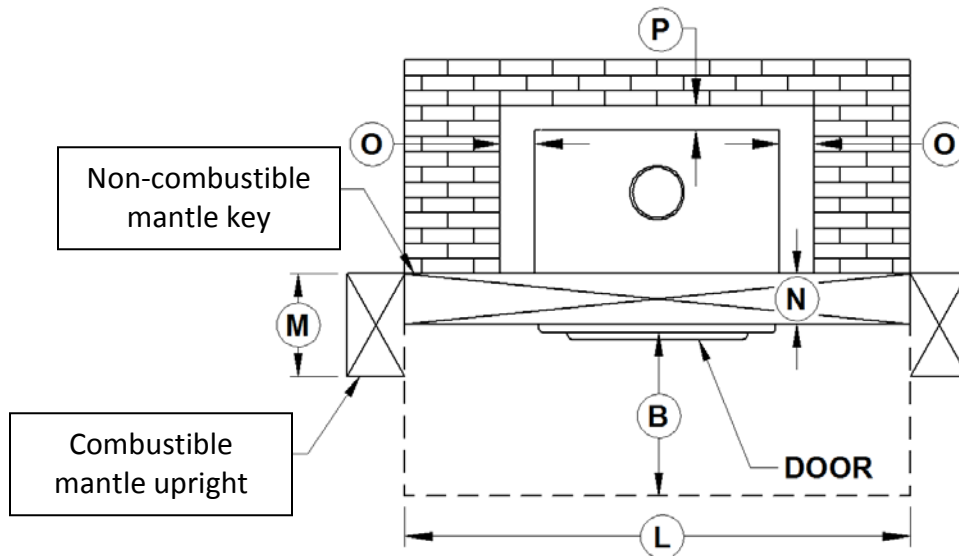
8.3 MINIMUM MASONRY OPENING, CLEARANCES TO COMBUSTIBLES, AND FLOOR PROTECTOR



Note 1: From door opening. The depth of the hearth extension in front of the wood inbuilt is included in the calculation of the floor protector’s dimensions.

Note 2: If used with zero clearance kit OA10371, a min 80 mm air gap between the flue outer casing and the first timber stud above the fireplace insert is required.

Note 3: If used with zero clearance kit OA10371, the first internal wall stud must be 150 mm above the fireplace insert top and the front wall up to that first stud must be made of non-combustible material.



The appliance and Flue Combination should be installed at the following clearances;

- The mantle shelf must be constructed from non-combustible material
- The mantle key must be constructed of non-combustible material.
- Mantle uprights shall be no closer than 100 mm from the side of the mantle uprights to the side of the appliance facia and the mantle uprights shall be no thicker than 70mm

CLEARANCES	
F	100 mm
G	1250 mm (min)
H	1340 mm (min)

MAXIMUM PROTRUSION	
M	70 mm
N	40 mm (max)

MINIMUM MASONRY OPENING	
I	622 mm
J	784 mm**
K	530 mm
O	Recommended 30 mm
P	Recommended 30 mm

FLOOR PROTECTION	
B	700 mm
L	908 mm

** Where a fresh air intake is needed, we suggest you add a minimum of 102 mm (4") to the width of the minimum masonry opening.

9 THE FLUE SYSTEM

9.1 GENERAL

The flue system, made up of the flue system and the flue between the wood inbuilt and the flue system, acts as the engine that drives your wood heating system. Even the best wood inbuilt will not function safely and efficiently as intended if it is not connected to a suitable flue system.

The heat in the flue gases that pass from the wood inbuilt and flue into the flue system is not waste heat. This heat is what the flue system uses to make the draft that draws in combustion air, keeps smoke inside the wood inbuilt and safely vents exhaust to outside. You can think of heat in the flue gas as the fuel the flue system uses to make draft.

9.2 SUITABLE FLUE SYSTEMS

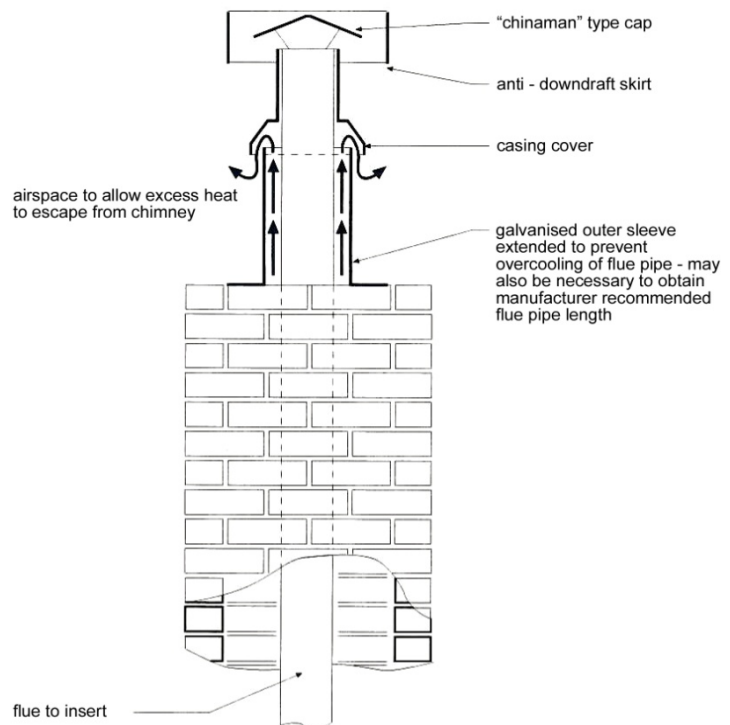
Your wood inbuilt will provide optimum efficiency and performance when connected to a 150 mm diameter flue liner. The reduction of liner diameter to less than 150 mm should only be done if the total height of the masonry flue system is greater than 20 feet.

9.3 LINER INSTALLATION

For appliances discharging combustion products through a chimney, the chimney shall be inspected for soundness and thoroughly cleaned before a flue pipe is installed. The air gap between the flue pipe and the chimney shall be open at the top of the chimney to the extent that the total opening area is not less than 10 000 mm². The chimney exit shall be fitted with means to prevent significant ingress of water and debris, and such means shall be constructed and fitted to maintain a total opening area at the chimney exit of not less than 10 000 mm².

The flue pipe to inbuilt used in the chimney shall comply with AS/NZS 2918.

To connect the wood inbuilt to the flue liner, refer to **Section 9.4 Flue liner installation**.



ATTENTION INSTALLER: When positioning the unit in a fireplace opening prior to the flue installation, install the wood inbuilt into the opening until the top lip of air jacket is flush with fireplace facing.

If lag-bolts or anchors are to be used to secure the wood inbuilt, the hole locations should be marked with the unit in place. Remove the wood inbuilt and locate the anchors.

9.4 FLUE LINER INSTALLATION

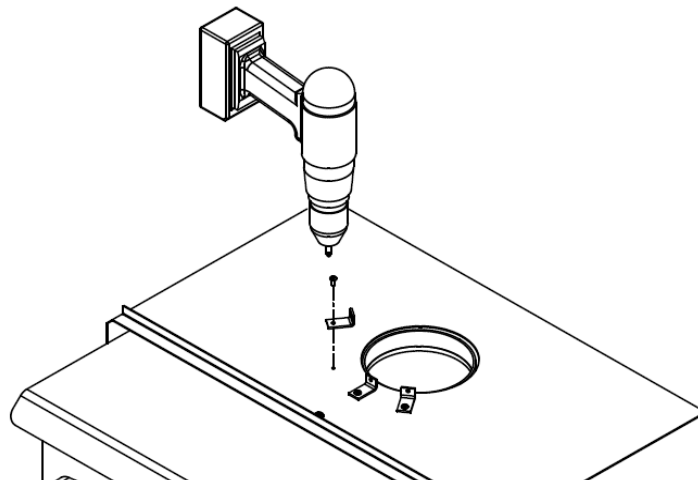
The preferred methods for installing the flue liner are found in **Section 9.4.1**. Use a liner offset adapter (**Section 9.4.2**) only as a last resort.

9.4.1 IF THE FLUE LINER DOES ALIGN WITH THE WOOD INBUILT'S FLUE OUTLET, YOU HAVE TWO OPTIONS

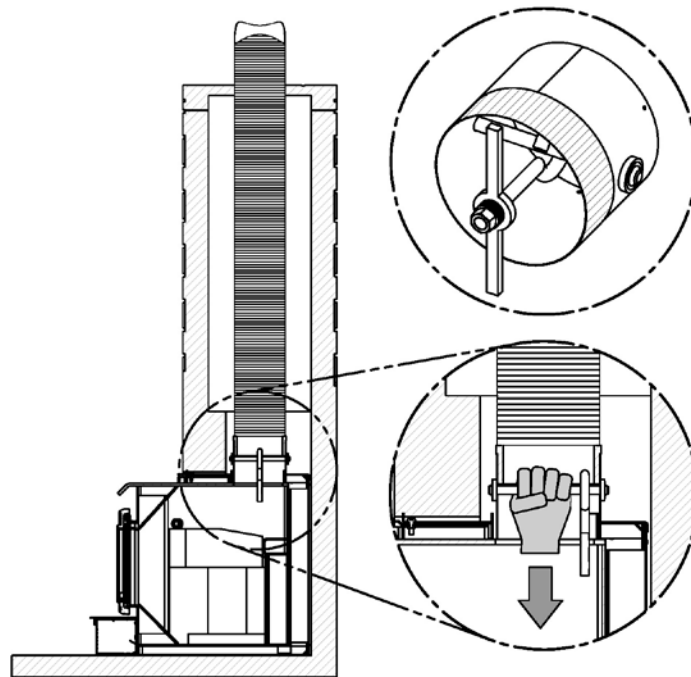
- A) Install the flue liner starter adapter, provided with the flue liner. Follow the flue liner starter adapter manufacturer's instructions.

To connect the flue liner starter adapter to the flue outlet, you can install the brackets with the screws that are in the owner's manual kit.

Using a powered driver, secure the three brackets with the three screws provided on top of the wood inbuilt in the three holes in front of the flue outlet. The long end of the brackets must be attached to the wood inbuilt. Insert the flue liner into the flue collar of the unit and secure the liner to the brackets with three self-tapping screws (not included).

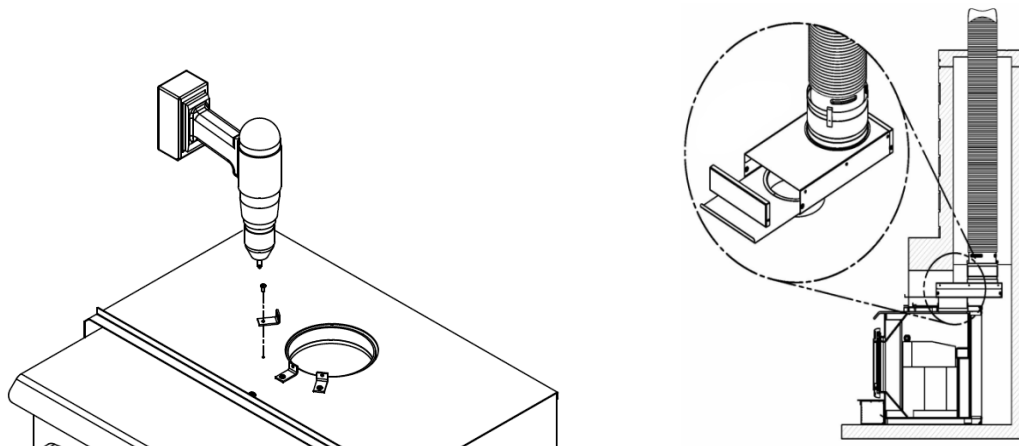


- B) Your dealer may offer a liner fastening system, sold separately. Follow the installation instructions provided with the liner fastening system.

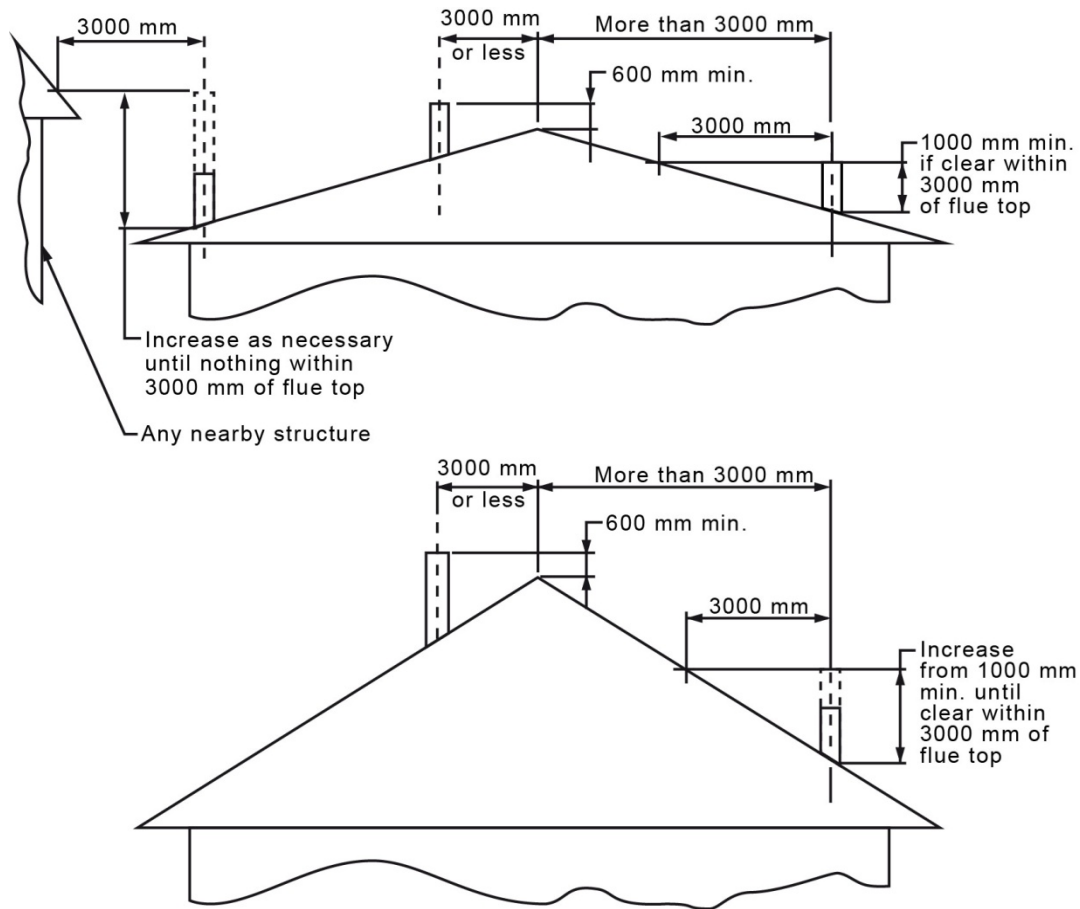


9.4.2 IF THE FLUE LINER DOES NOT ALIGN WITH THE WOOD INBUILT’S FLUE OUTLET

You can install a liner offset adapter, sold separately. Please note that an offset adaptor reduces the free flow of exhaust gases and may result in smoke roll-out from the wood inbuilt when the door is opened for loading. Only use an offset adaptor if a) there is no other alternative and b) if the total height of the fireplace and flue system is at least 20 feet. If you must install a liner offset adapter, secure the three brackets with the three screws provided on top of the wood inbuilt in the three holes in front of the flue outlet. The long end of the brackets must be attached to the wood inbuilt. The brackets and screws are in the wood inbuilt’s owner’s manual kit. Then follow the instructions in the manual provided with the liner offset adapter kit.



9.5 MINIMUM FLUE SYSTEM HEIGHT



Flue heights and lengths from AS/NZS 2918:2001

The top of the flue system should be tall enough to be above the air turbulence caused when wind blows against the house and its roof.

The flue exit shall be located outside the building in which the appliance is installed so that:

- The flue shall extend not less than 4.6 m above the top of the floor protector;
- The minimum height of the flue system within 3 m distance from the highest point of the roof shall be 600 mm above that point;
- The minimum height of the flue system further than 3 m from the highest point of the roof shall be 1000 mm above roof penetration;
- No part of any building lies in or above a circular area described by a horizontal radius of 3 m about the flue system exit.

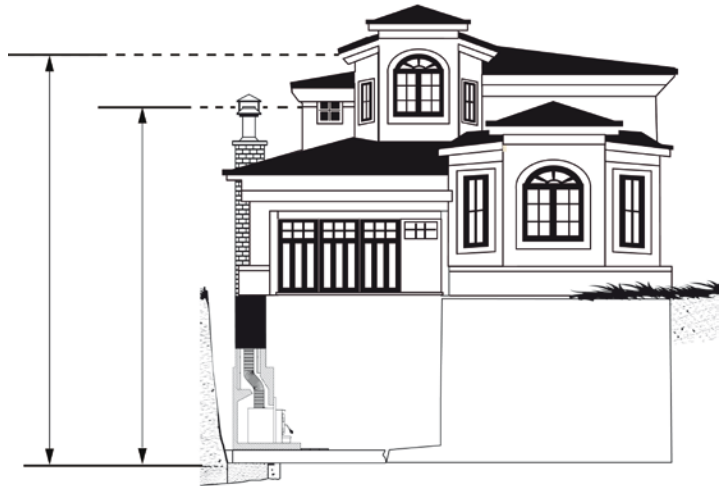
9.6 THE RELATIONSHIP BETWEEN THE FLUE SYSTEM AND THE HOUSE

Because the flue system is the engine that drives the wood heating system, it must have the right characteristics. The signs of bad system design are cold back drafting when there is no fire in the wood inbuilt, slow kindling of new fires, and smoke roll-out when the door is opened for loading.

9.6.1 WHY THE FLUE SYSTEM SHOULD PENETRATE THE HIGHEST HEATED SPACE

When it is cold outside, the warm air in the house is buoyant so it tends to rise. This tendency of warm air to rise creates a slight pressure difference in the house. Called 'stack effect', it produces a slightly negative pressure low in the house (relative to outside) and a slightly positive pressure zone high in the house. If there is no fire burning in a heater connected to a flue system that is shorter than the warm space inside the house, the slight negative pressure low in the house will compete against the desired upward flow in the flue system.

There are two reasons why the flue system in the house at right will cold downdraught when it is cold outside and there is no fire burning in the wood inbuilt. First, the flue system runs up the outside of the house, so the air in it is colder and denser than the warm air in the house. And second, the flue system is shorter than the heated space of the house, meaning the negative pressure low in the house will pull outside air down the flue system, through the wood inbuilt and into the room. Even the finest wood inbuilt will not work well when connected to this flue system.



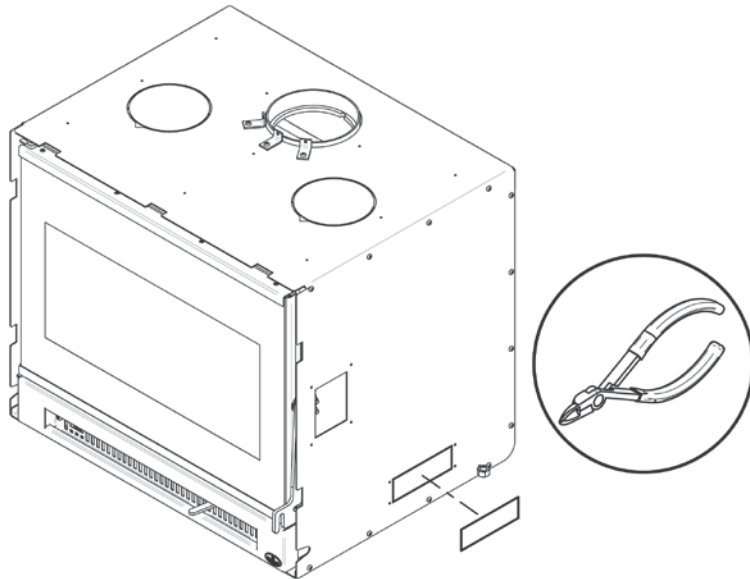
9.7 AIR QUALITY IN THE HOUSE

To protect against the risk of smoke spillage due to house depressurization, **a carbon monoxide (CO) detector/alarm is required** in the room in which the wood inbuilt is installed. The CO detector will provide warning if for any reason the wood inbuilt fails to function correctly.

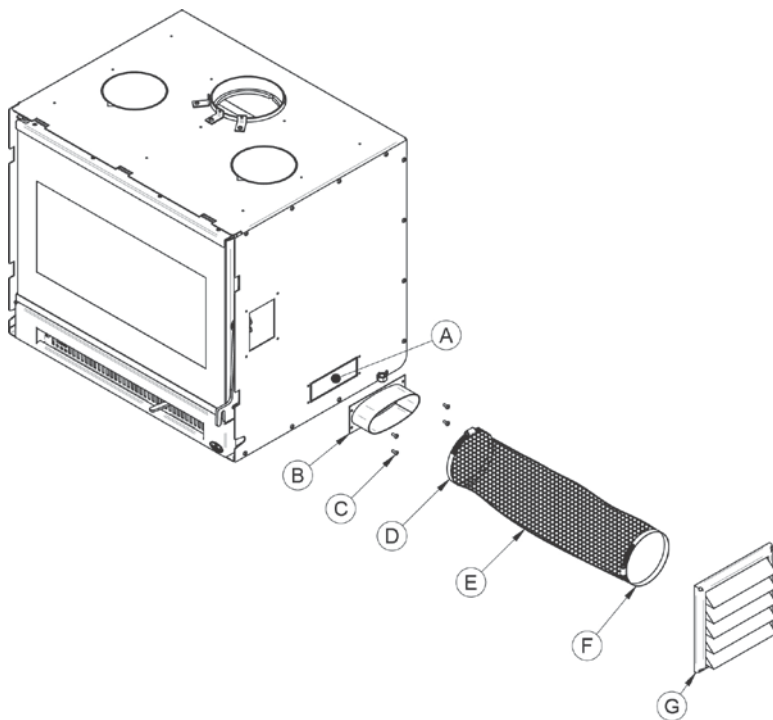
APPENDIX 1: FRESH AIR INTAKE KIT INSTALLATION (OPTIONAL)

Note: Only remove the knock-out that will be connected to the fresh air inlet.

To install a fresh air intake kit to the wood inbuilt, the purchase of accessory is required.



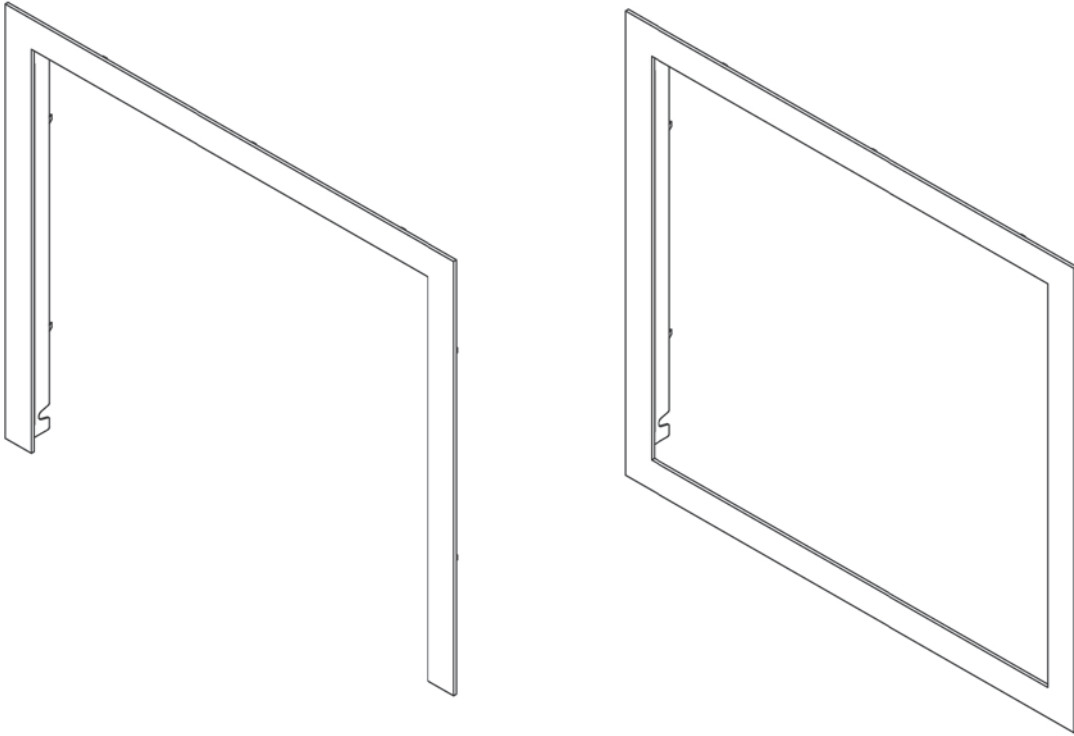
Using pliers, remove the rectangular knock-out plate located on the left or right side of the convection air jacket. Choose the side that is best for your installation.



Then, install the fresh air kit adapter **(B)** using 4 screws **(C)**. Secure the flexible pipe **(E)** to the adapter **(B)** using one of the adjustable pipe clamps **(D)**. Secure the other end of the pipe to the outside wall termination **(F)** using the second adjustable pipe clamp **(D)**. The outside wall termination **(G)** must be installed outside of the building.

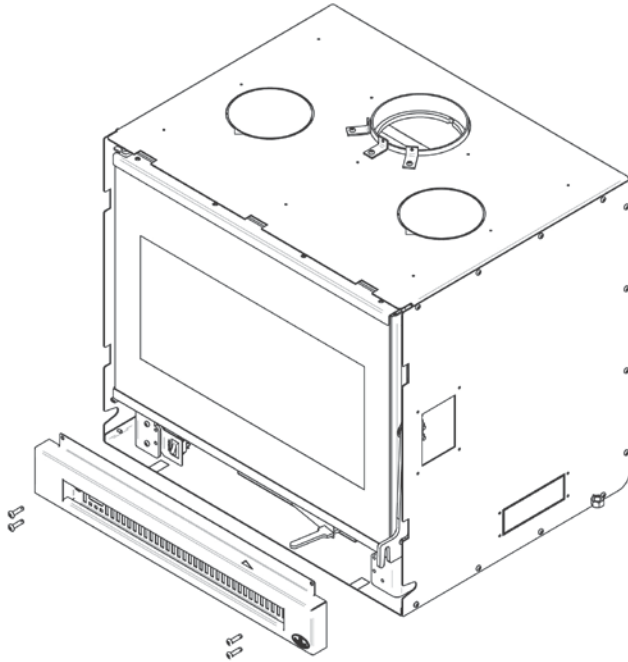
APPENDIX 2: FACEPLATE INSTALLATION

Two faceplates are available with this wood inbuilt. For more details about the installation, consult the faceplate installation manual

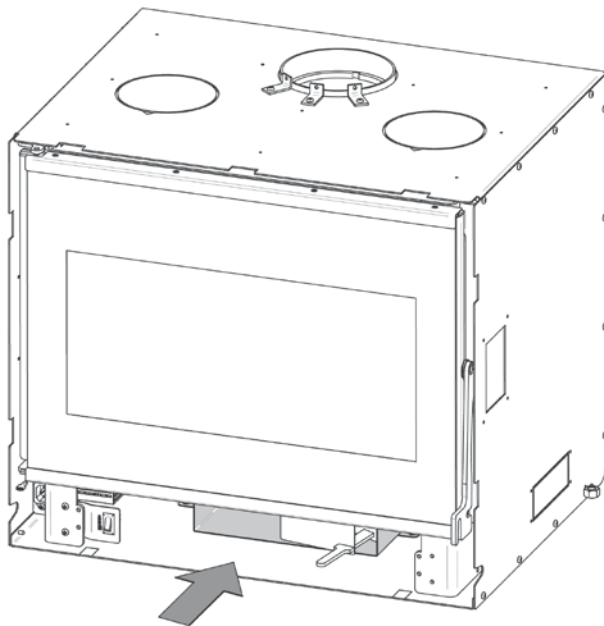


APPENDIX 3: BLOWER REMOVAL

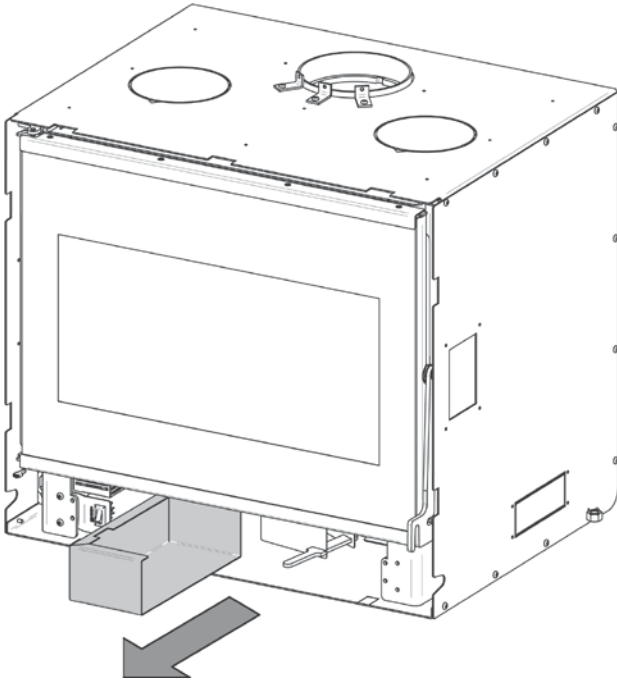
1. Unplug the blower and remove all electrical sources on the wood inbuilt.
2. Remove the bottom faceplate by removing the four screws holding it in place.



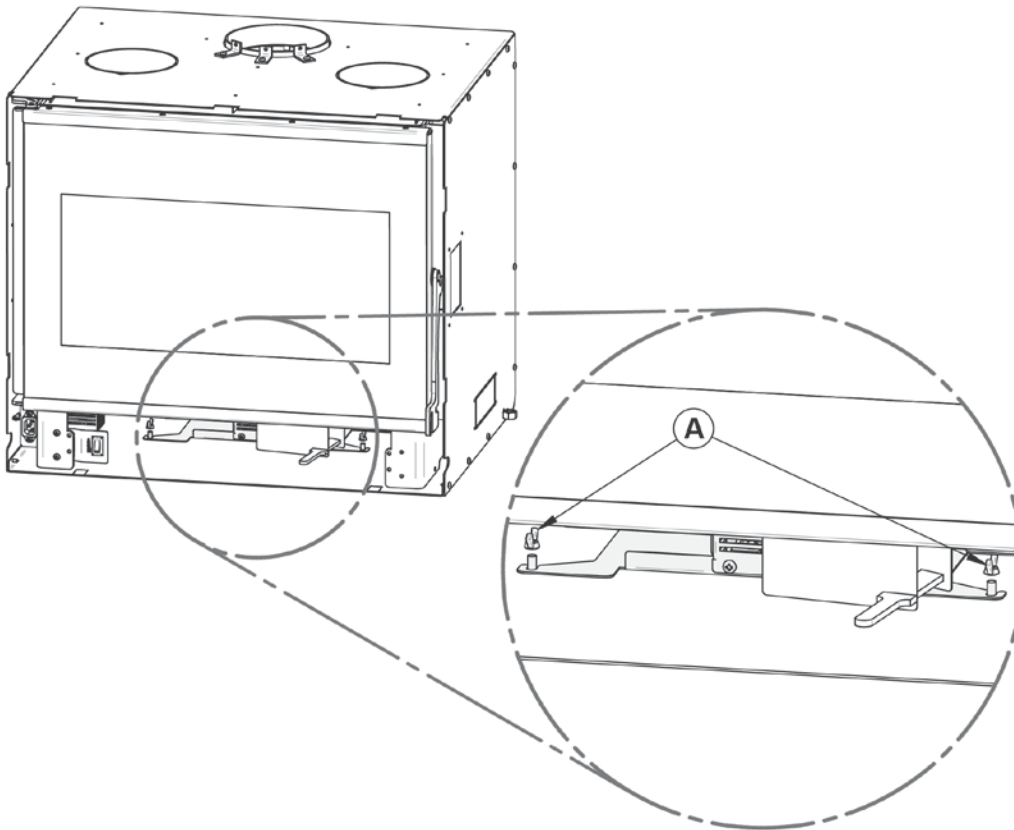
3. Locate the cover under the wood inbuilt



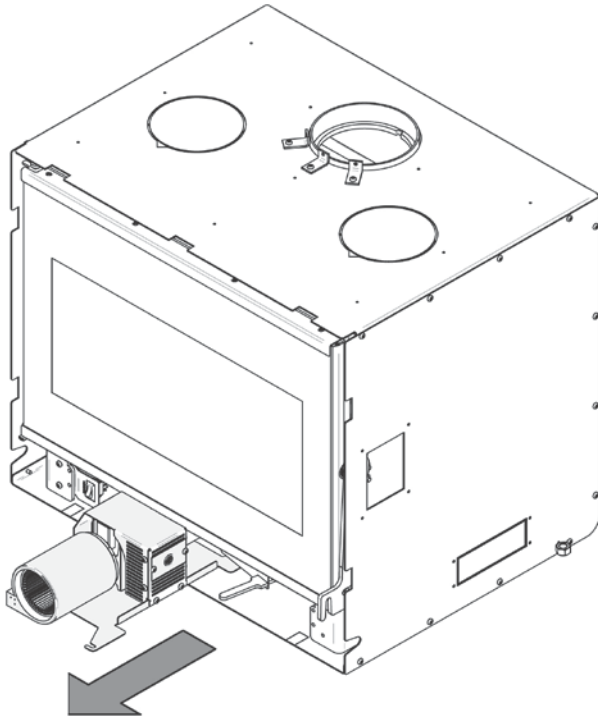
4. Push and rotate counter clock wise to remove the cover.



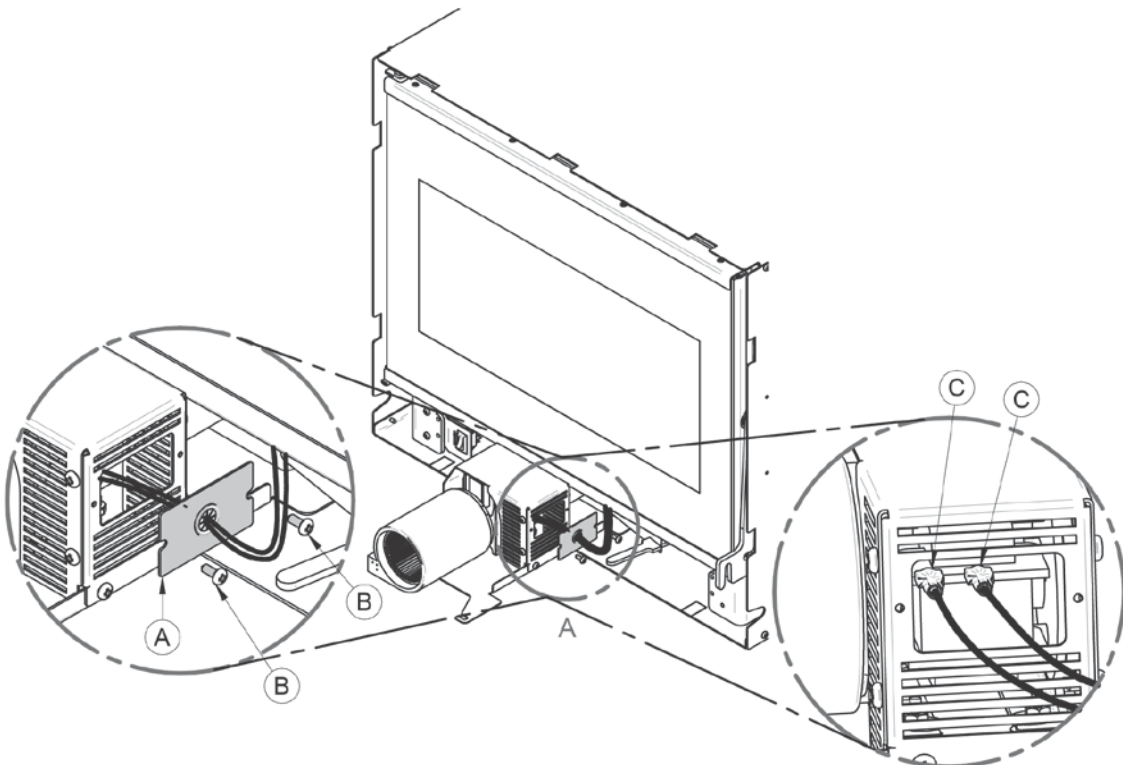
5. Remove both wing nuts **(A)** holding the blower mounting plate.

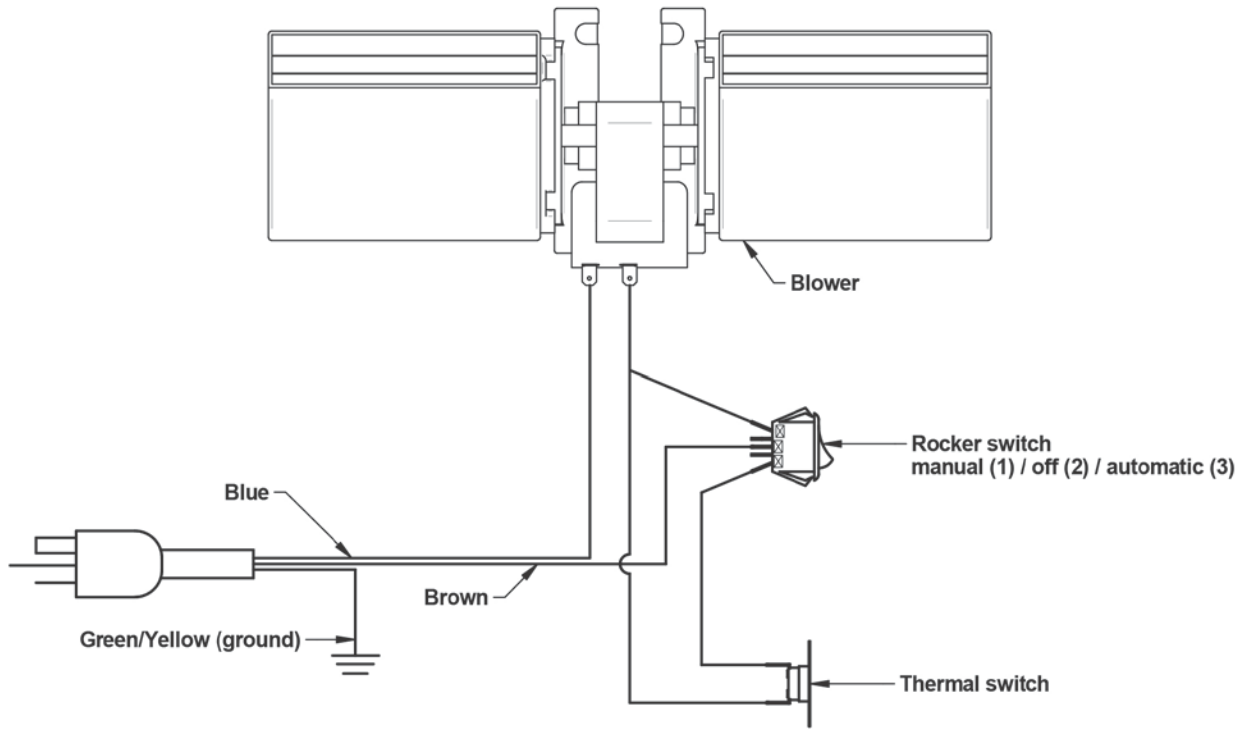


6. Rotate the blower counter clock wise and gently pull on the blower.

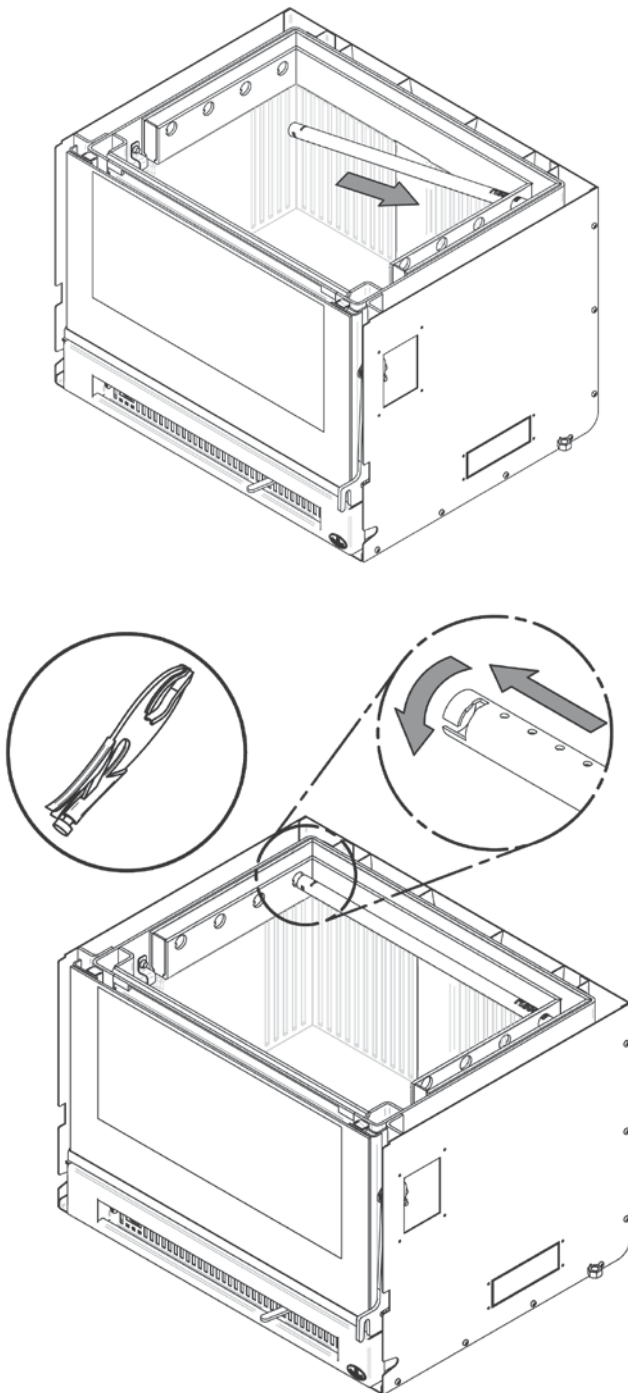


7. Remove both screws **(B)** and gently pull on plate **(A)**. Unplug the blower wires **(C)**. Once the blower is unplugged, pull gently for removal.



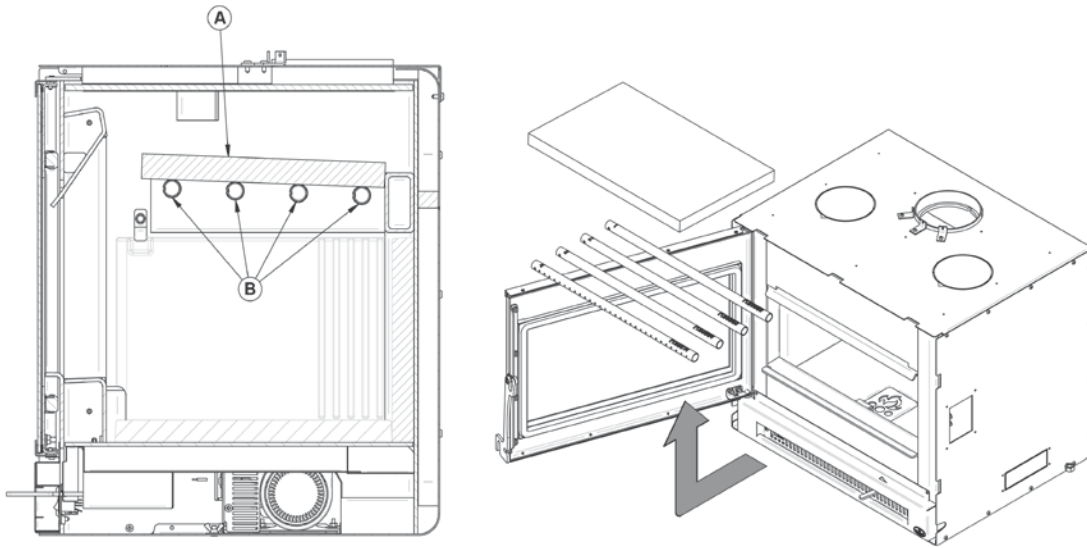


APPENDIX 4: INSTALLATION OF SECONDARY AIR TUBES AND BAFFLE



1. Starting with the rear tube, lean and insert the right end of the secondary air tube into the rear right channel hole. Then lift and insert the left end of the tube into the rear left channel.
2. Align the notch in the left end of the tube with the key of the left air channel hole. Using a « Wise grip » hold the tube and lock it in place by turning the tube as shown. Make sure the notch reaches the end of the key way.
3. Repeat **steps 1** and **2** for the two tubes in the back then install the baffle before installing the two front tubes.
4. To remove the tubes, use the above steps in reverse order.

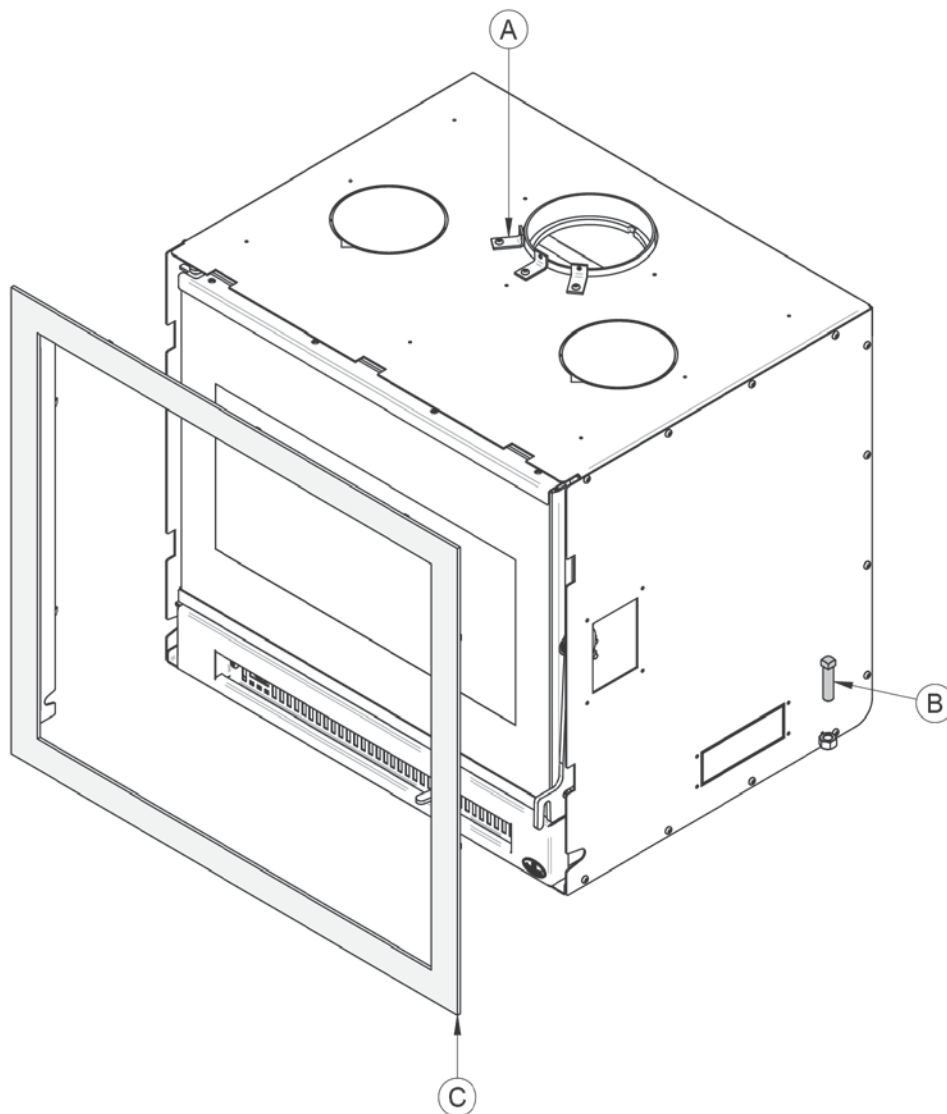
Note that secondary air tubes (B) can be replaced without removing the baffle board (A).



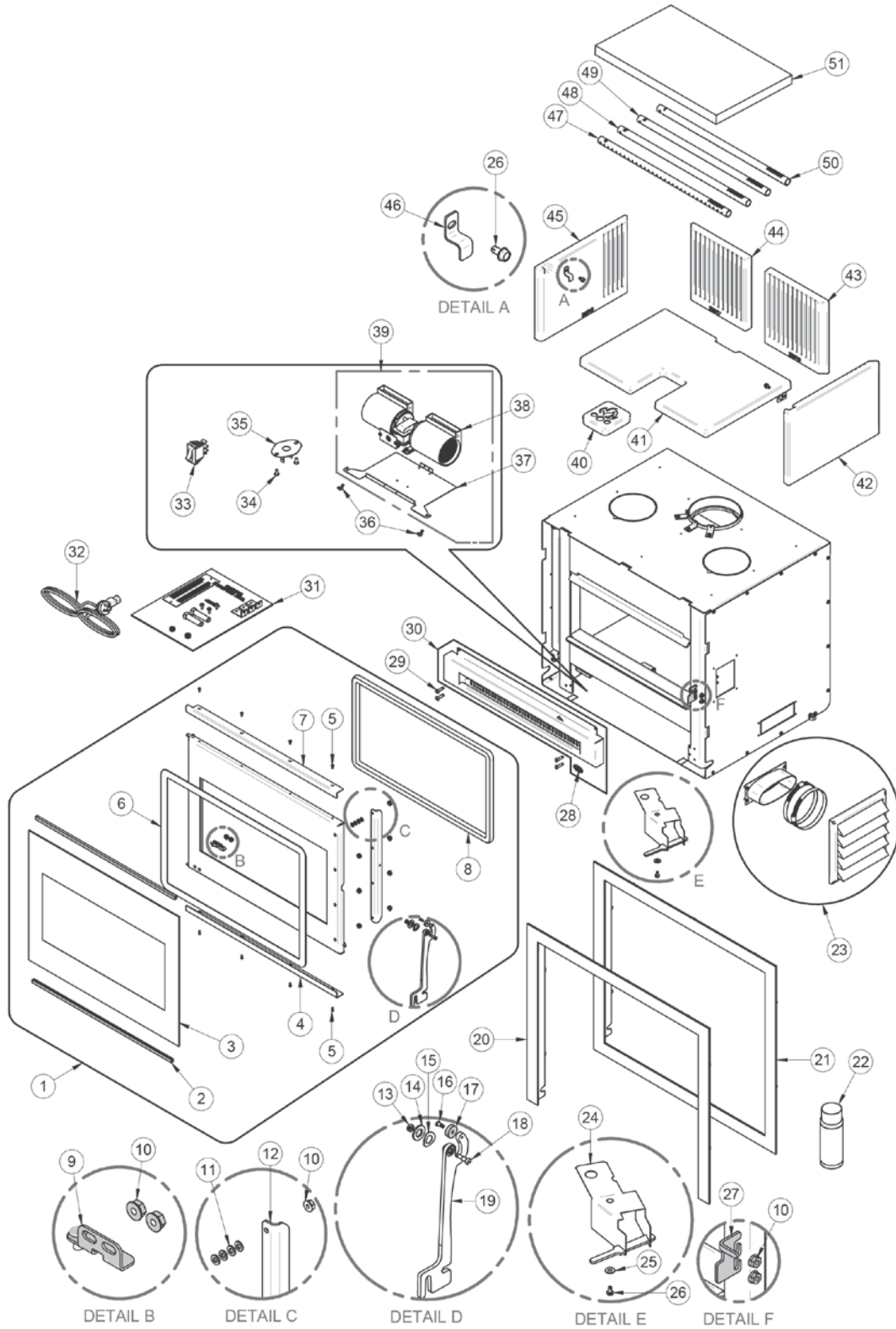
APPENDIX 5: WOOD INBUILT REMOVAL INSTRUCTIONS

For the purpose of inspecting the wood inbuilt itself or the fireplace, your wood inbuilt may need to be removed. To remove your wood inbuilt follow these instructions:

- Remove the faceplate assembly (C) using the reverse steps of **Appendix 2**.
- Remove the screws that secure the flue liner to the fixation brackets (A).
- Unscrew the leveling bolts (B) located on each side of the wood inbuilt.
- Pull-out the wood inbuilt from the fireplace opening to perform the maintenance work.



APPENDIX 6: EXPLODED DIAGRAM AND PARTS LIST



IMPORTANT: THIS IS DATED INFORMATION. When requesting service or replacement parts for your wood inbuilt, please provide the model number and the serial number. We reserve the right to change parts due to technology upgrade or availability. Contact an authorized dealer to obtain any of these parts. Never use substitute materials. Use of non-approved parts can result in poor performance and safety hazards.

#	Item	Description	Qty
1	SE65891	DOOR ASSEMBLY	1
2	AC06400	3/4" (FLAT) X 6' BLACK SELF-ADHESIVE GLASS GASKET	1
3	23073	GLASS - 24 13/16"W X 18 1/2"H	1
4	PL65893	GLASS RETAINER	1
5	30021	SELF TAPPING SCREW 8-32 "F" TYPE X 7/16" FLAT HEAD PHILLIPS BLACK	8
6	AC06810	SELF ADHESIVE BLACK GASKET KIT 1/8" X 3/8" X 6'	1
7	PL65892	GLASS RETAINER	1
8	AC06951	SILICONE AND 5/8" X 9' BLACK GASKET KIT	1
9	SE65896	ADJUSTABLE HINGE ASSEMBLY	1
10	30220	FLANGED LOCKNUT 1/4-20	5
11	30187	STAINLESS WASHER ID 17/64" X OD 1/2"	16
12	PL65895	HANDLE SUPPORT	1
13	30238	TWO-WAY LOCKNUT HEX #10-24 ZINC	1
14	30200	WASHER ID=13MM x OD=24MM ZINC	1
15	30801	SPRING WASHER	1
16	31012	HEX SOCKET SHOULDER HEX SCREW #8-32 3/16" X 1/4"	1
17	31011	BALL BEARING	1
18	30754	HEX SOCKET SHOULDER HEX SCREW #10-24 X 3/8"	1
19	PL65897	DOOR HANDLE	1
20	AC01020	NARROW FACEPLATE (U SHAPE)	1
21	AC01022	NARROW FACEPLATE	1
22	AC05959	METALLIC BLACK STOVE PAINT - 342 g (12oz) AEROSOL	1
23	AC01298	5" FRESH AIR INTAKE KIT OVAL	1
24	SE65940	AIR CONTROL DAMPER ASSEMBLY	1
25	30206	ZINC WASHER 5/16"ID X 3/4"OD	1
26	30060	THREAD-CUTTING SCREW 1/4-20 X 1/2" F HEX STEEL SLOT WASHER C102 ZINC	3
27	PL65853	DOOR LOCKING PLATE	1
28	30977	OSBURN STICKER	1
29	30506	SCREW PAN TORX TYPE F 1/4-20 X 1" BLACK	4
30	SE65915	BOTTOM FACEPLATE ASSEMBLY	1
31	SE45937	INSPIRE INSERT INSTRUCTION MANUAL KIT (AUSTRALIA)	1
32	60284	POWERCORD	1
33	44092	3 POSITION ROCKER SWITCH	1
34	30080	METAL SCREW #6 X 1/4 TYPE B PAN PHILLIPS	2
35	44028	CERAMIC THERMODISC F110-20F	1
36	30484	WING NUT 1/4-20	2

#	Item	Description	Qty
37	PL65913	BLOWER MOUNTING PLATE	1
38	99999	BUILD TO ORDER	1
39	99999	BUILD TO ORDER	1
40	22022	MOULDED LOGO/PLUG STONE	1
41	22021	MOULDED BOTTOM STONE	1
42	22020	MOULDED RIGHT STONE	1
43	22018	MOULDED RIGHT BACK STONE	1
44	22017	MOULDED LEFT BACK STONE	1
45	22019	MOULDED LEFT STONE	1
46	PL65937	STONE RETAINER	2
47	PL65514	FRONT SECONDARY AIR TUBE	1
48	PL65884	MIDDLE FRONT SECONDARY AIR TUBE	1
49	PL65885	MIDDLE REAR SECONDARY AIR TUBE	1
50	PL65886	REAR SECONDARY AIR TUBE	1
51	21389	C-CAST BAFFLE 20" X 12 1/2" X 1 1/4"	1

Manufactured by:

STOVE BUILDER INTERNATIONAL INC.

250, de Copenhague, Saint-Augustin-de-Desmaures (Quebec), Canada G3A 2H3

After-sale service: 418-908-8002 E-mail: tech@sbi-international.com

www.osburn-australia.com

Distributed by

Glen Dimplex Australasia

NEW ZEALAND

38 Harris Road, East Tamaki, Auckland

For servicing your heater

Call 0 800 666 2824

AUSTRALIA

Unit 1, 21 Lionel Road

Mount Waverley, Victoria 3149

For servicing your heater

Call 1 300 554 155