

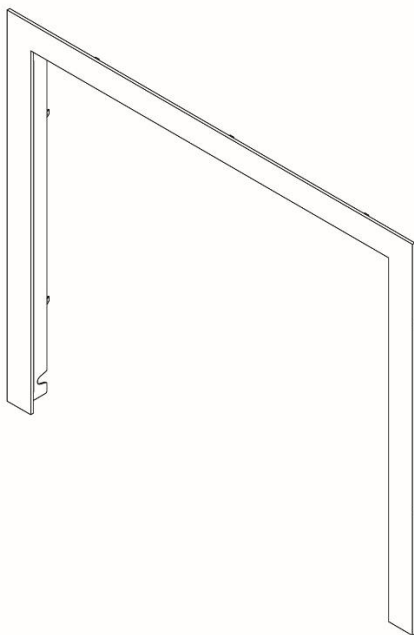


**BEYOND**  
fire

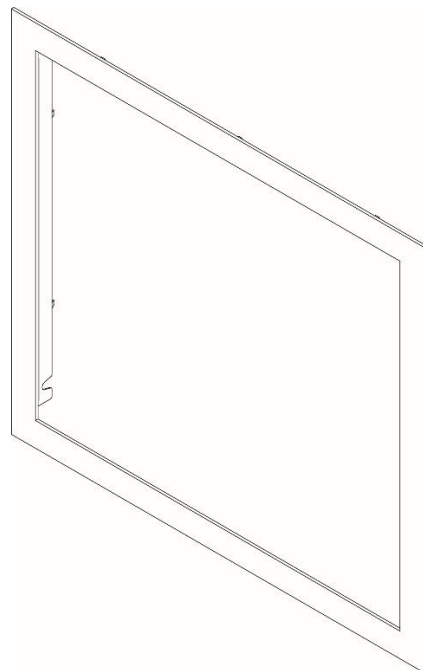
# INSTALLATION INSTRUCTIONS

NARROW FACEPLATES

AC01020 and AC01022



AC01020

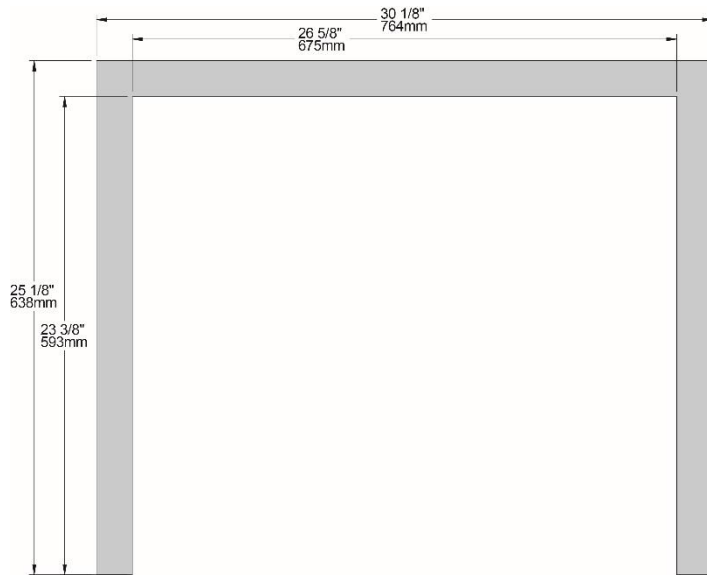


AC01022

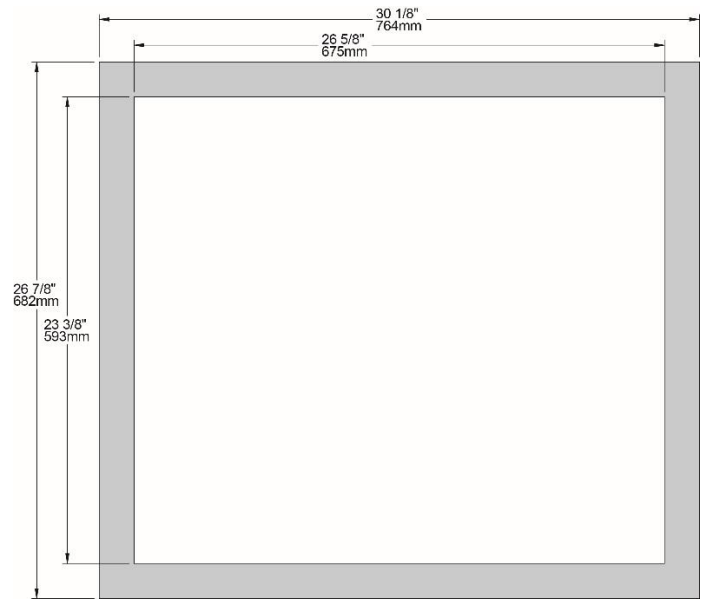
## WARNING

The facing of the masonry trim should never come in contact with masonry product such as mortar, acid or any other products containing abrasives. Damages and discolouration caused by these products will void the warranty

## Dimensions



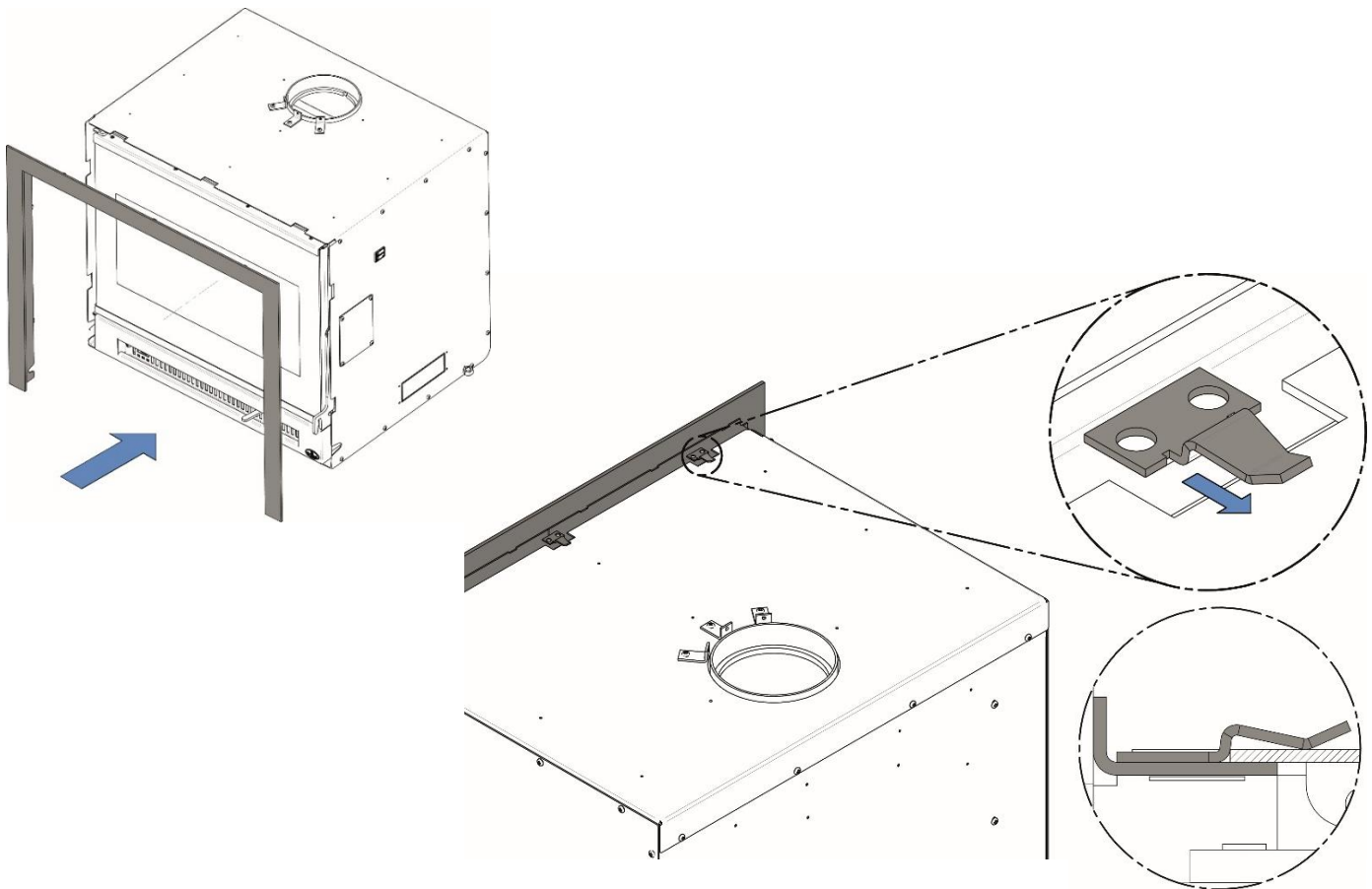
**AC01020**



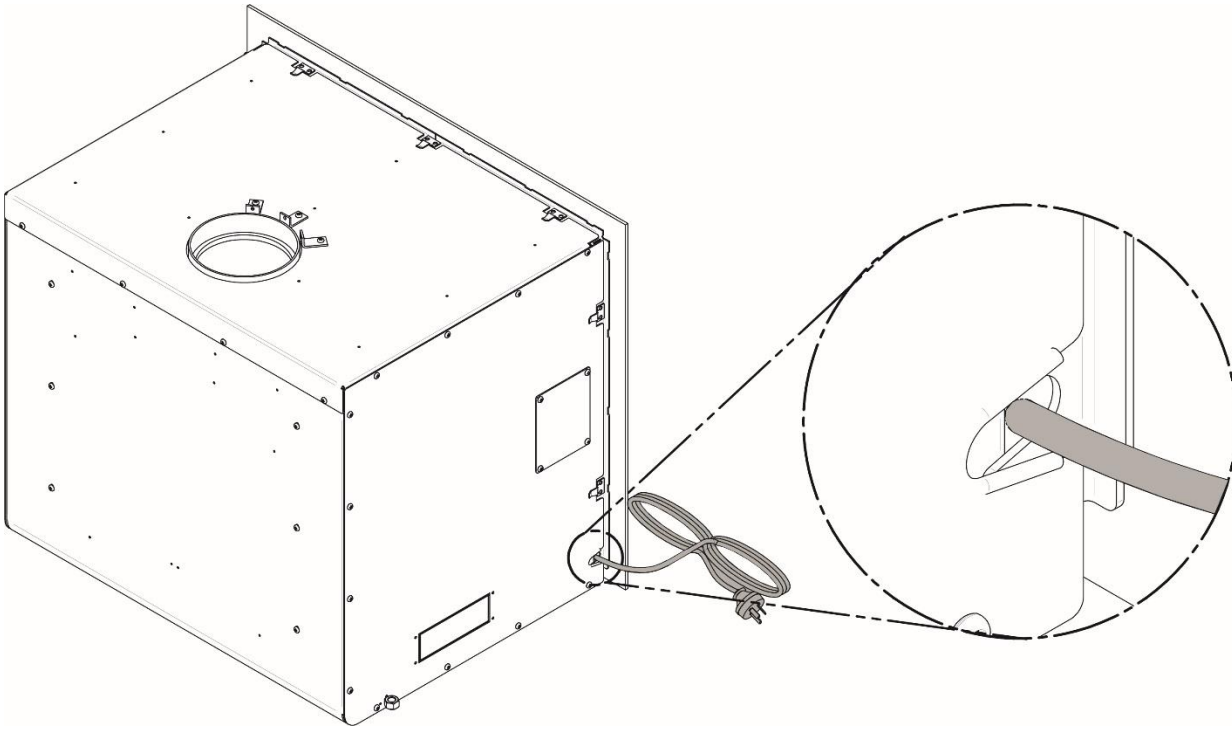
**AC01022**

## Installation Instructions – AC01020

Align the clips of the faceplate with the notches on the insert. Push the faceplate onto the insert until it clips.

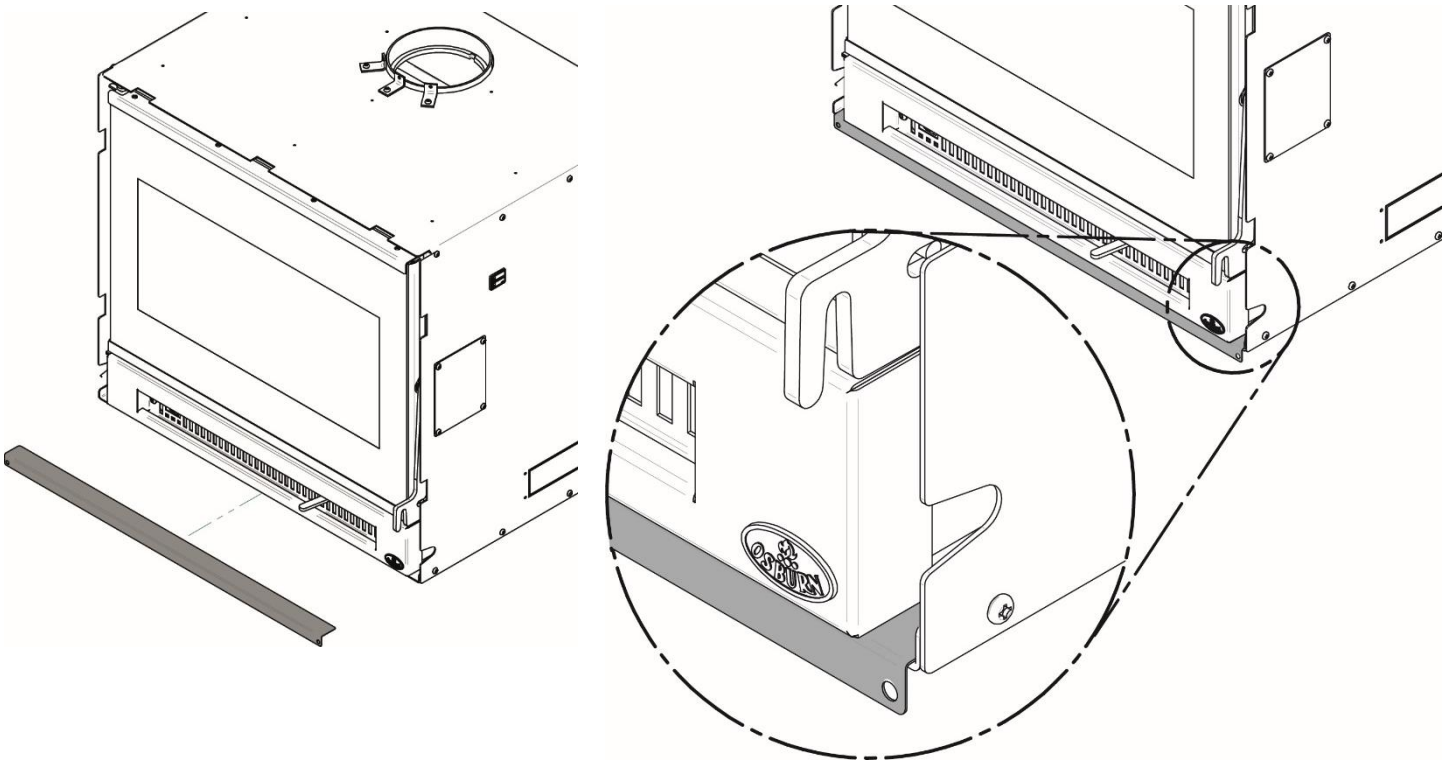


The blower power cord must exit on the side, between the inbuilt and the faceplate.

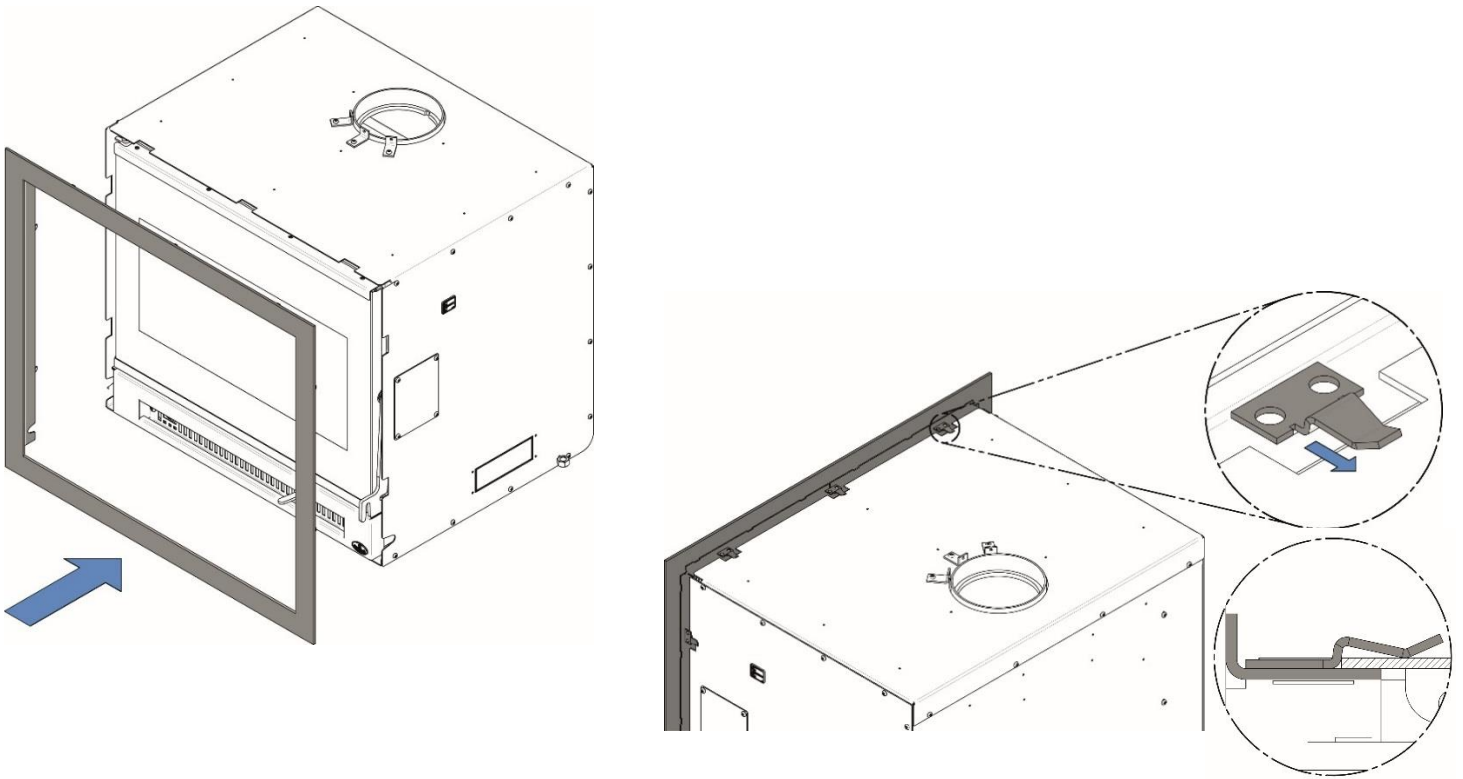


### Installation Instructions – AC01022

Place the decorative bracket between the bottom faceplate and the insert jacket.



Align the clips of the faceplate with the notches on the insert. Push the faceplate onto the insert until it clips.



The blower power cord must exit on the side, between the inbuilt and the faceplate.

