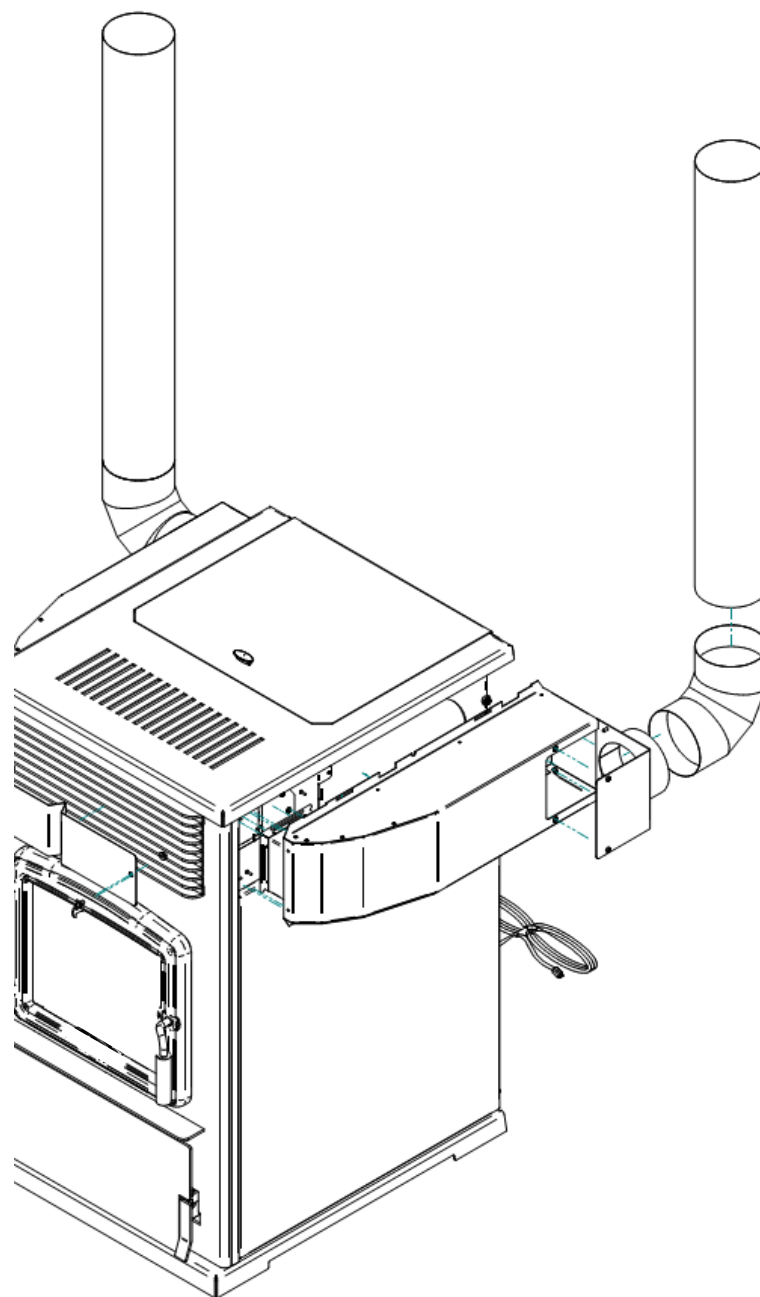




**HOT AIR DISTRIBUTION
KIT
AC01343**

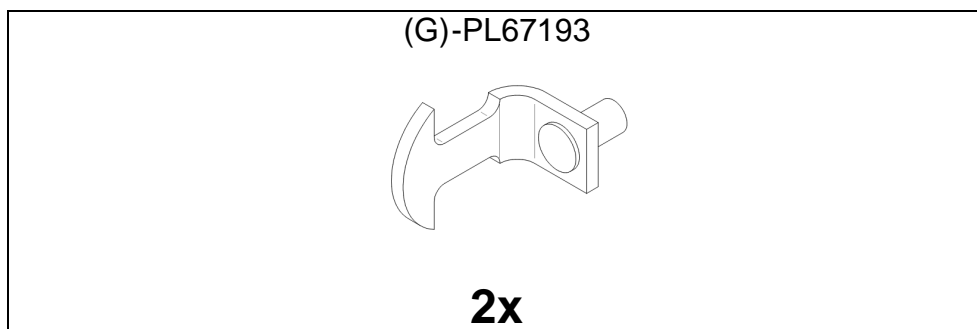
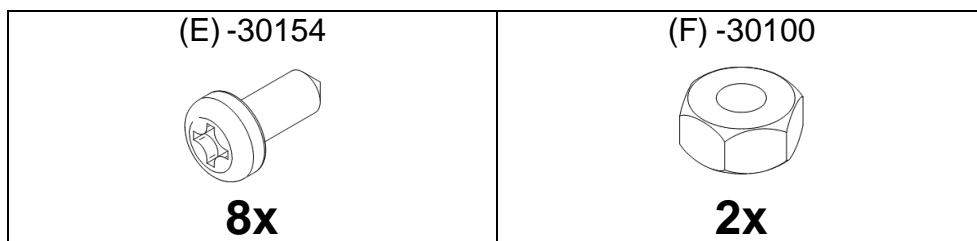
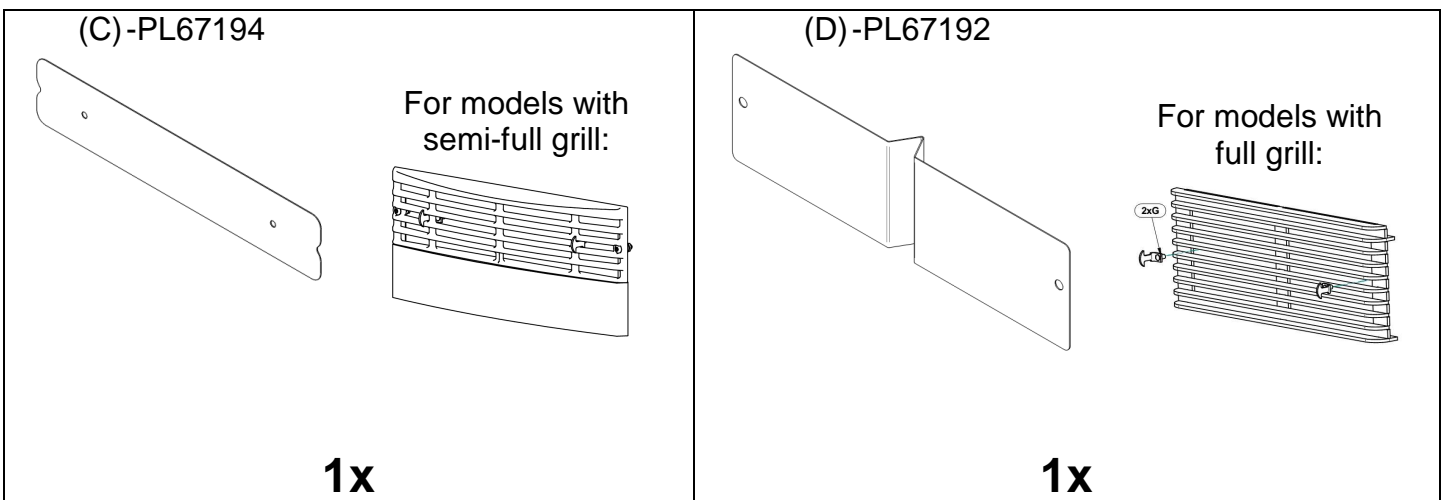
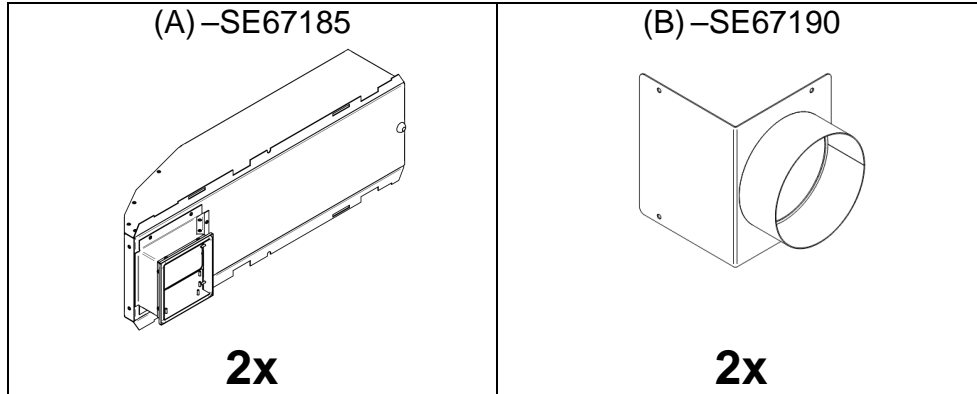
**INSTALLATION
INSTRUCTIONS**



Stove Builder International Inc.
250, rue de Copenhague
Saint-Augustin-de-Desmaures Quebec, Canada G3A 2H3

45770A
07-10-2014







This hot air distribution kit contains the following parts:



Illustrations are for reference only. Your appliance may differ slightly from the one shown in this installation guide.

Other required parts (not included):

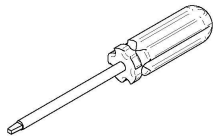
WARNING: All parts used must be at least 325°F resistant.

(H)	Angled elbow, depending on your needs*	
(I)	5" semi-rigid tubing, 400°F*	
	5" galvanized rigid tube, lengths depending on your needs*	
	5" aluminum insulated tube**	
(J)	Recommended universal floor outlet of 4" x 10" x 5"	
(K)	Galvanized floor grill	

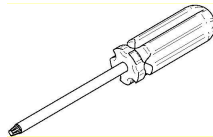
* Metalized tape is not included but required to seal the joints.

** Clamping ring and metalized tape are not included, but required to seal the joints.

Tools required for installation:



Robertson Screwdriver



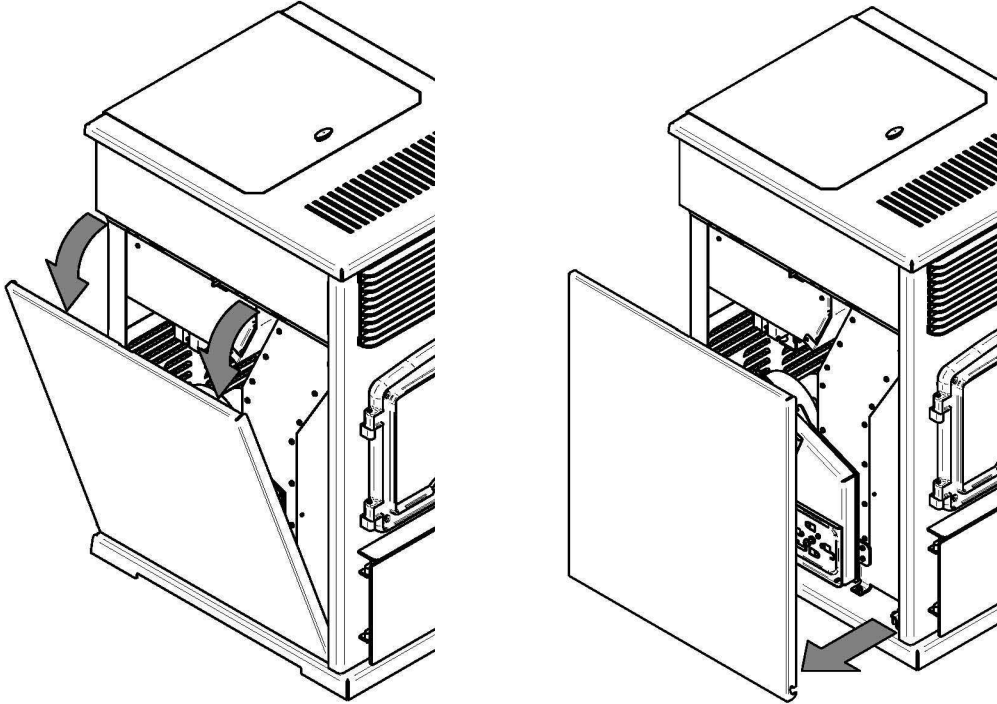
or 'Phillips' Screwdriver



5/16 & 7/16" Wrench

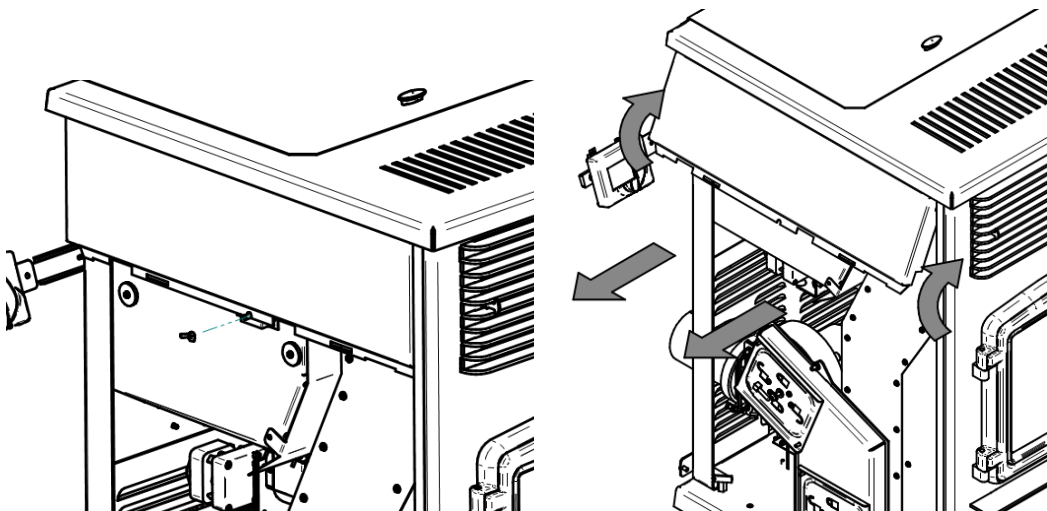
1

Remove the bottom decorative panel of the stove (steps 1-4 must be repeated for the left and right side of the stove).



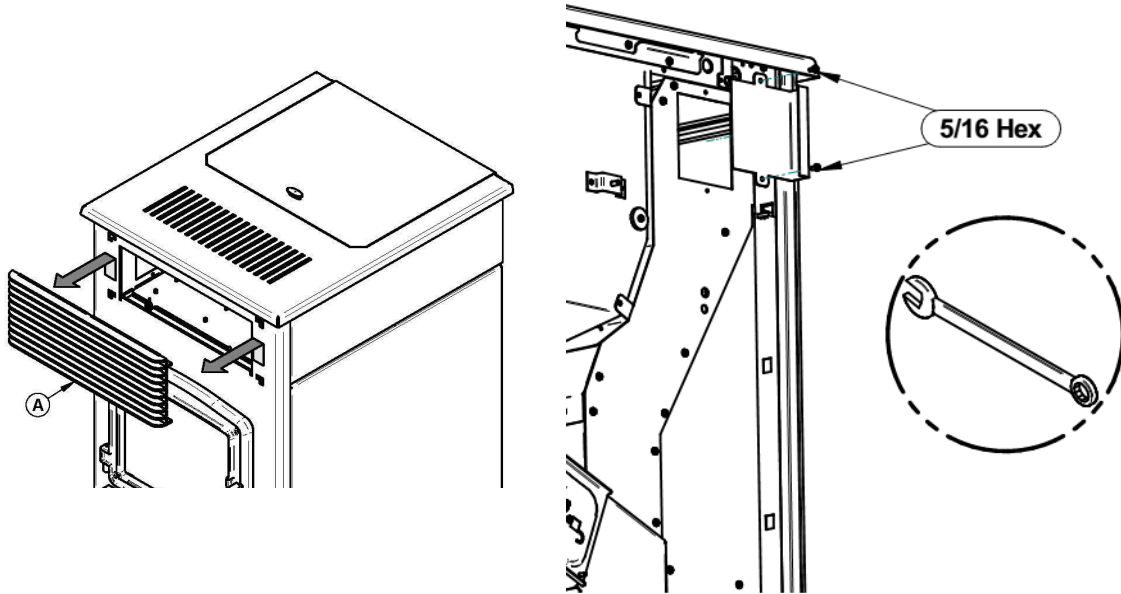
2

Unscrew the wing nut in the center of the top decorative panel (keep the nut). Lift and remove the decorative panel from the two supports.

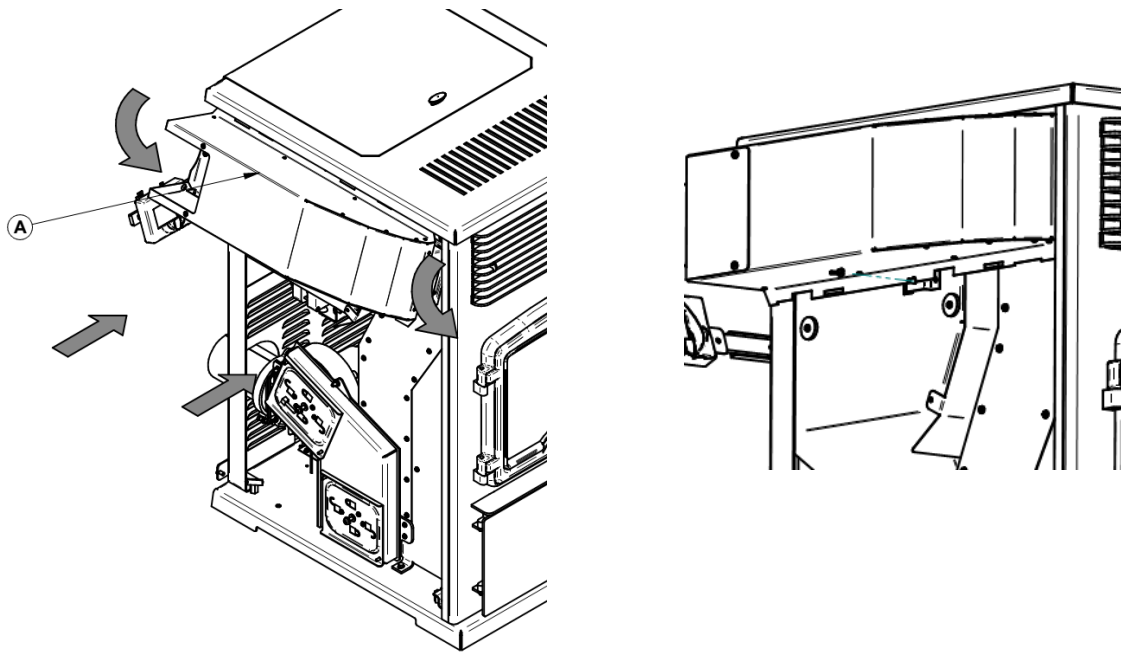


3

Remove the decorative front stove grill (set aside). Unscrew (wrench 5/16") and remove the cap of the hot air outlet from the front.

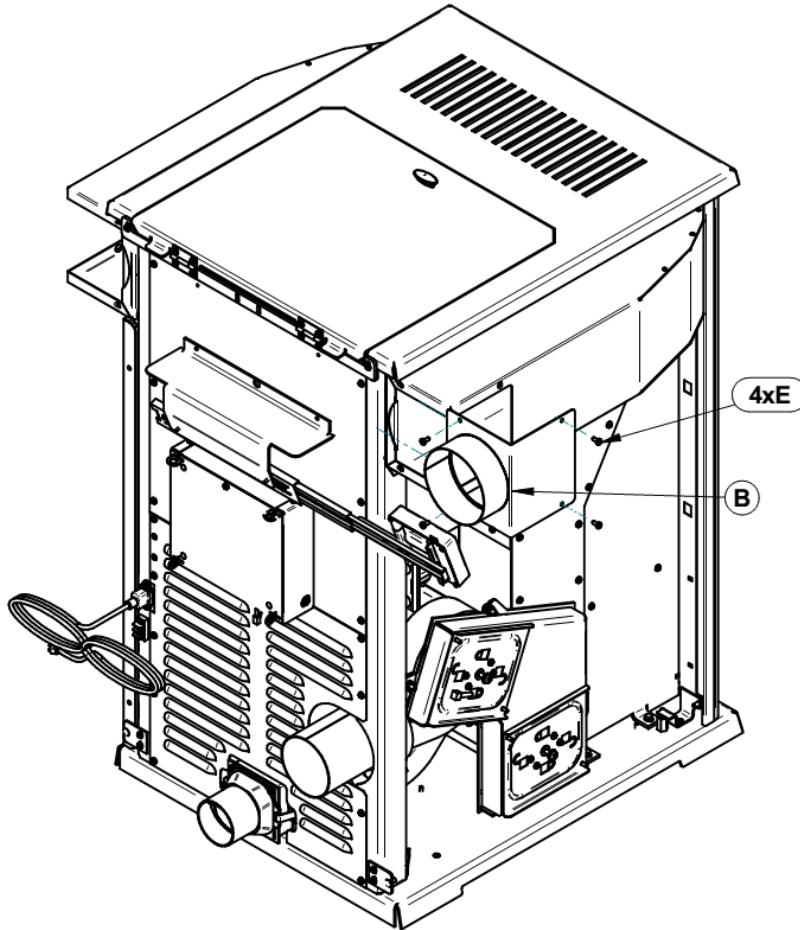


Install the hot air outlet (A) on both supports, taking care that the gasket creates a proper seal with the stove exchanger. Reinstall the wing nut from step 2.

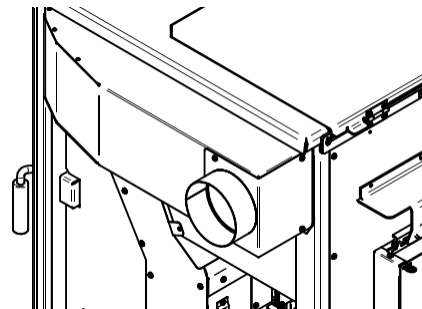


4

Install and secure the 5" adapter (B) to the rear or side of the hot air outlet using 4 screws (E).

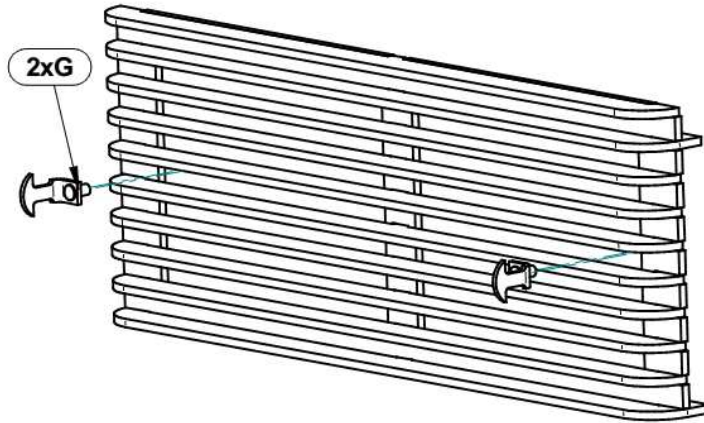


Please note that it is possible to install the 5" adapter so the outlet is pointing towards the side instead of the back. However, for better performance it is recommended to point them towards the back.

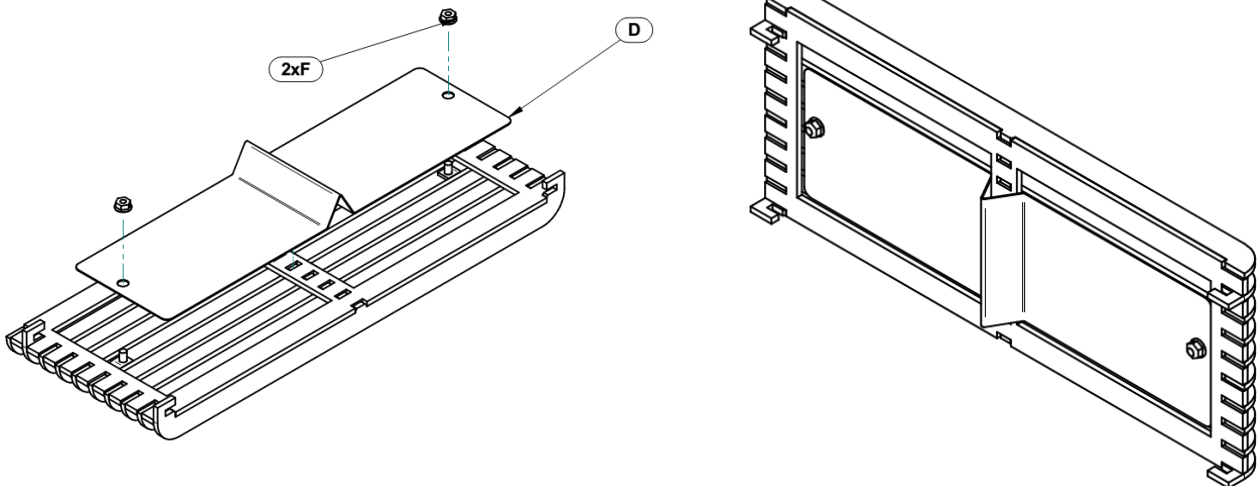


5 (for models with full grill)

To install the plate with the fold in the middle (D), you should first put the hook screws (G) as shown below.

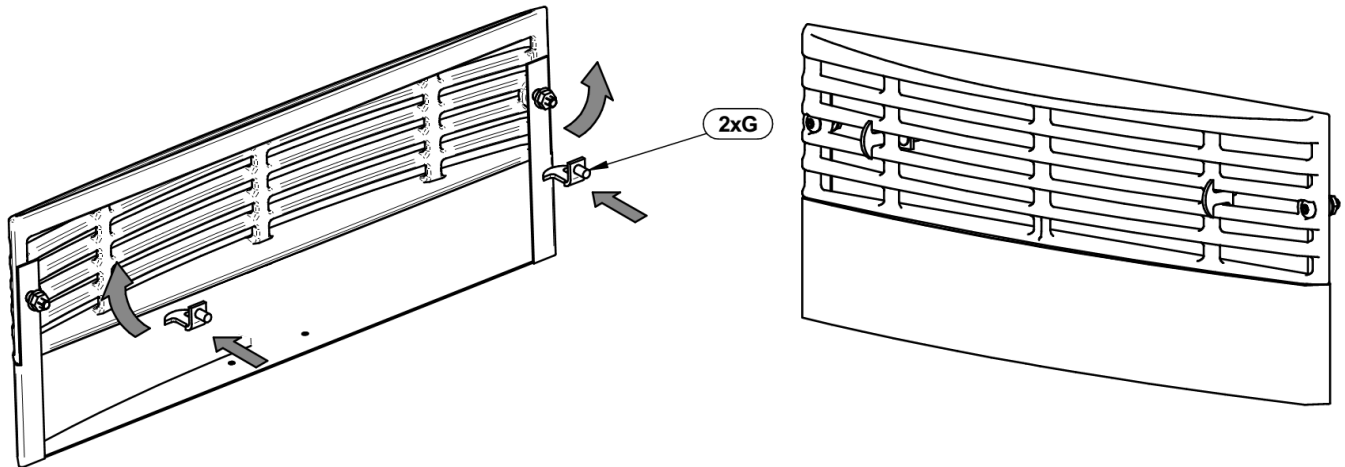


Install the plate (D) as shown below. Please note that the plate doesn't completely block the air flow and the opening should be at the top when installed on the stove. Secure the plate with the two nuts (F) provided with this manual using a 7/16" wrench.

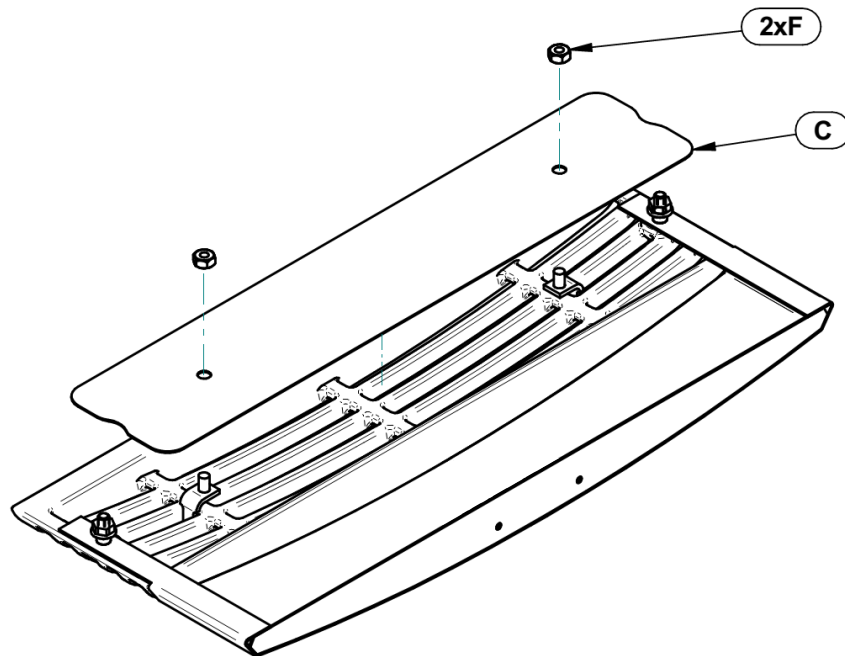


5 (for models with semi-full grill)

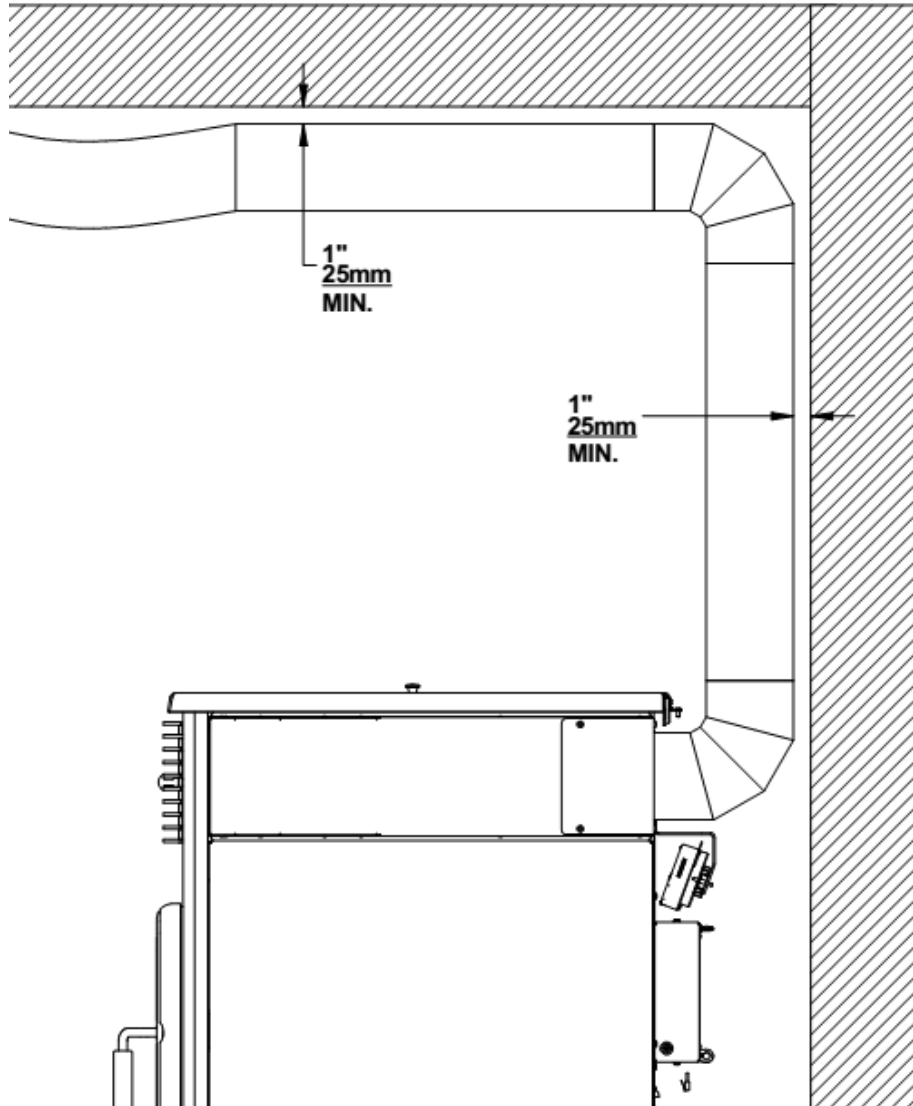
To install the plate (C), you should first put the hook screws (G) as shown below. First slide the hook screws (G) flat inside the opening then rotate them of 90° to lock them in place.



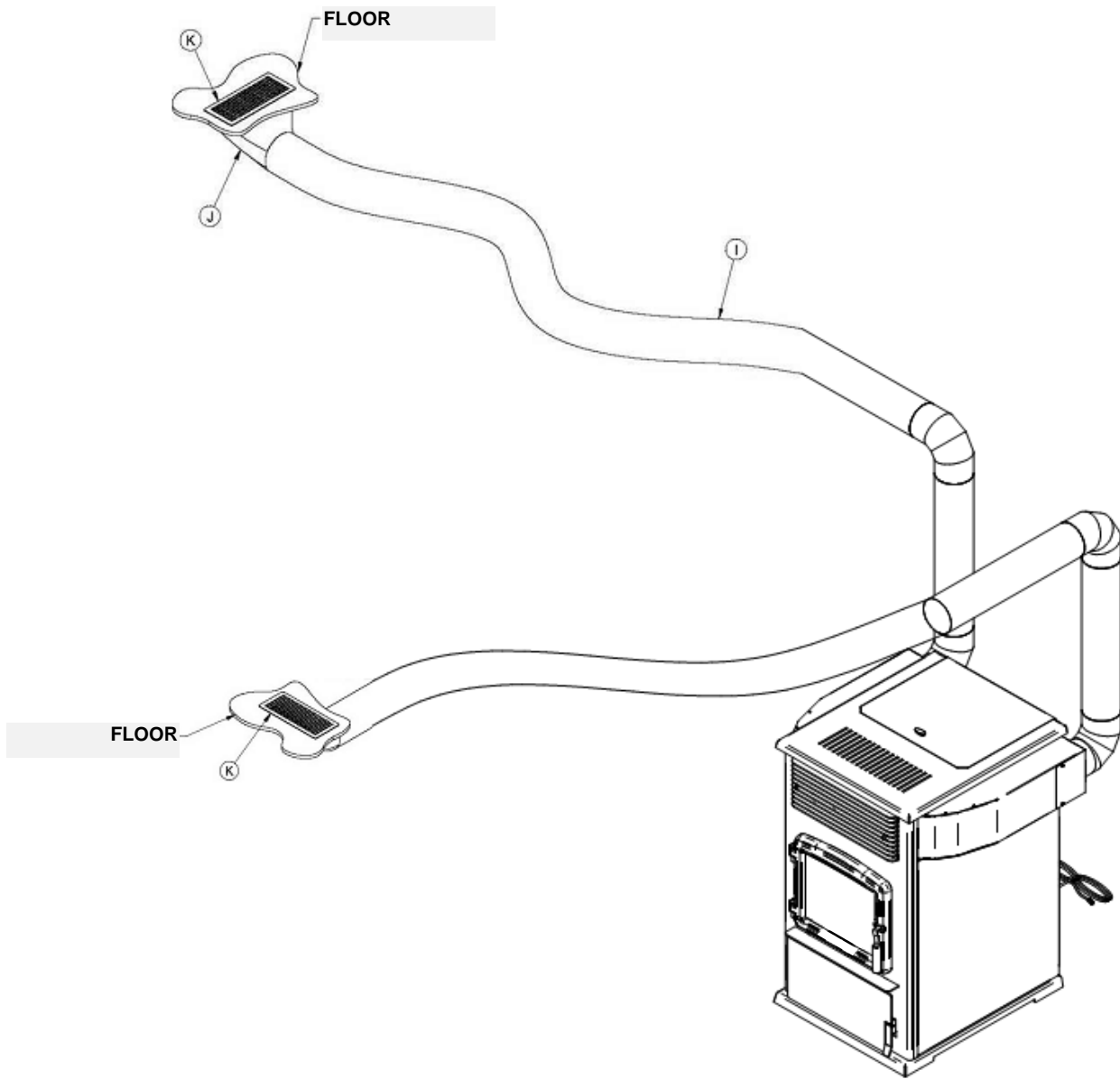
Install the plate (C) as shown below. Secure the plate with the two nuts (F) provided with this manual using a 7/16" wrench.



WARNING: During the installation, you must maintain a minimum of 1" clearance to combustible materials on the entire length of the system.



Example of a system installation



In regards to part (I) there are three different products you can use for your installation: semi-rigid tubing, galvanized rigid tubes or insulated aluminum tube. In all cases the material must be at least 325°F resistant and must respect the 1" clearance to combustible materials mentioned above

Note: To reach optimum air distribution efficiency, the maximum pipe length required is 20 feet from the outlet adapter.