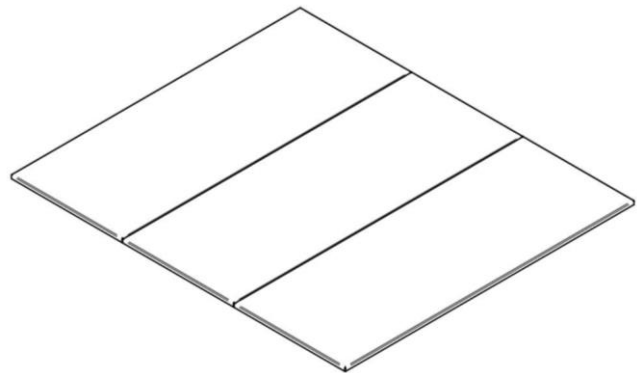
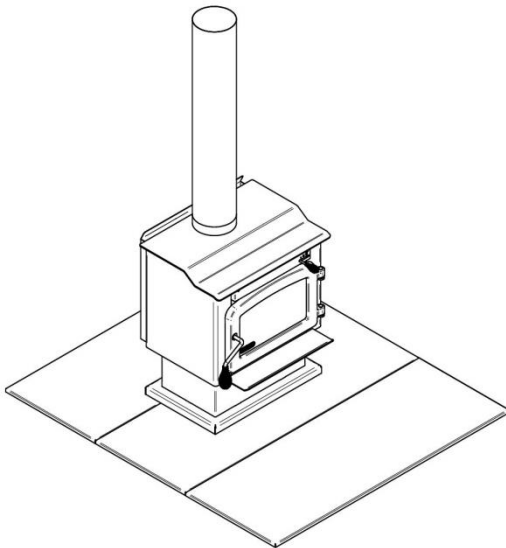




FLOOR PROTECTION KIT

AC02711

INSTALLATION INSTRUCTIONS



Fabricant de poêles international Inc.
250, rue de Copenhague
Saint-Augustin-de-Desmaures Québec, Canada G3A 2H3

SECTION 1 - MATERIAL

This floor protection kit includes:

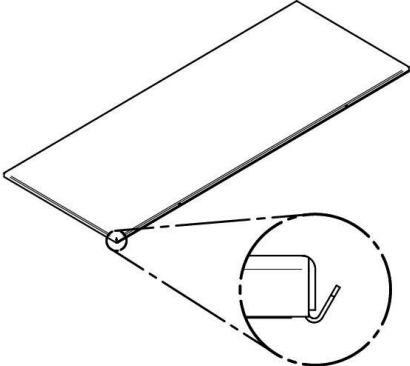
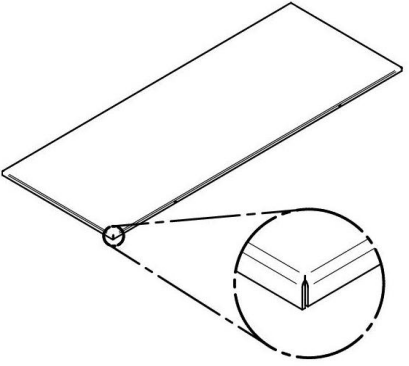
<div style="border: 1px solid black; padding: 2px; width: fit-content; margin-bottom: 5px;">2X</div> 	<div style="border: 1px solid black; padding: 2px; width: fit-content; margin-bottom: 5px;">1X</div> 
Panels with clips* (18"X 46 3/4")	Middle panel* (18" X 46 3/4")

Table 1 : Box contents

*Insulated with 1/2" of Micore 300. Micore 300 is rated with a 1.03 R factor at 1/2" thickness. The R factor of the floor protection must be equal or greater than the one required by the manufacturer of the appliance being installed.

SECTION 2 - FLOOR AREA TO PROTECT

All solid fuel appliances should be placed on a non combustible surface to protect the floor from hot embers that could fall from the appliance during loading and maintenance.

ATTENTION
<ul style="list-style-type: none"> • THE FLOOR PROTECTION MUST NOT BE CUT OR TRIMMED. • THE FLOOR PROTECTION MUST BE INSTALLED IN ACCORDANCE WITH LOCAL BUILDING CODE • THE FLOOR PROTECTION MUST BE INSTALLED ON A CONTINUOUS, FLAT AND LEVEL SURFACE. • THE FLOOR PROTECTION MAY NOT BE INSTALLED ON A CARPETED SURFACE. • ALWAYS REFER TO THE CERTIFICATION PLATE ON THE APPLIANCE FOR THE FLOOR AREA TO PROTECT. USE THE FOLLOWING TABLE AS AN INDICATION ONLY.

The floor protection must cover the area mentioned in the following table:

FLOOR PROTECTION		
	CANADA	USA
A	18" (457 mm) From door opening	16" (406 mm) From door opening
B	8" (203 mm)	N/A (Canada only)
C	8" (203 mm)*	N/A (Canada only)
D	N/A (USA only)	8" (203 mm)
E	8" (203 mm)	**

Table 2: Floor Protection

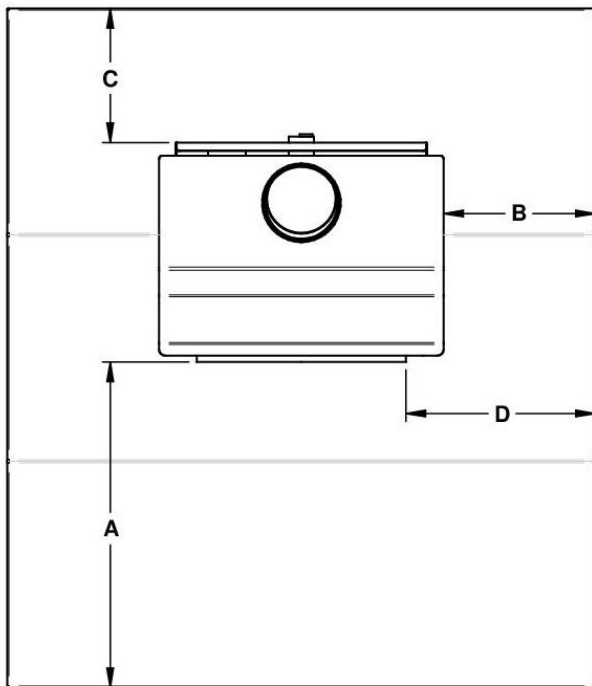


Figure 1: Top View - Floor Protection

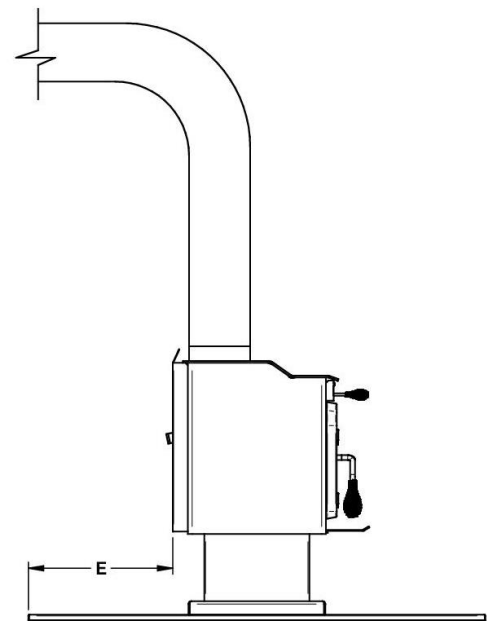


Figure 2 : Side View - Floor Protection

*The floor protection at the back of the stove (**C**) is limited to the stove's required clearance if such clearance is smaller than 8 inches (203 mm).

**Only required under the horizontal section of the connector. Must exceed each side of the connector by at least 2 inches (51 mm).

SECTION 3 - INSTALLATION

1. Determine the appliance position following manufacturer's recommendations.
2. Determine necessary dimensions for the floor protection.
3. Using masking tape, mark the four corners of the final position of the floor protection on the floor.
4. Align one panel **(A)**, matching the rear marks of step 3. *Note that one of these panels contains two small holes on the thickness of one of the long sides. For aesthetic reasons, place this panel so that it is as invisible as possible.*
5. Remove the spacers on the middle panel **(B)**.

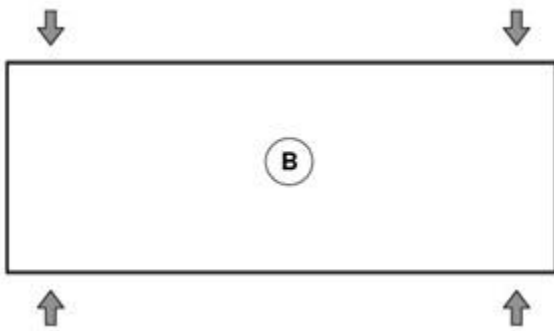


Figure 3 : Spacers position

6. Insert the middle panel **(B)** and the other panel **(A)**, as shown on the following figure.

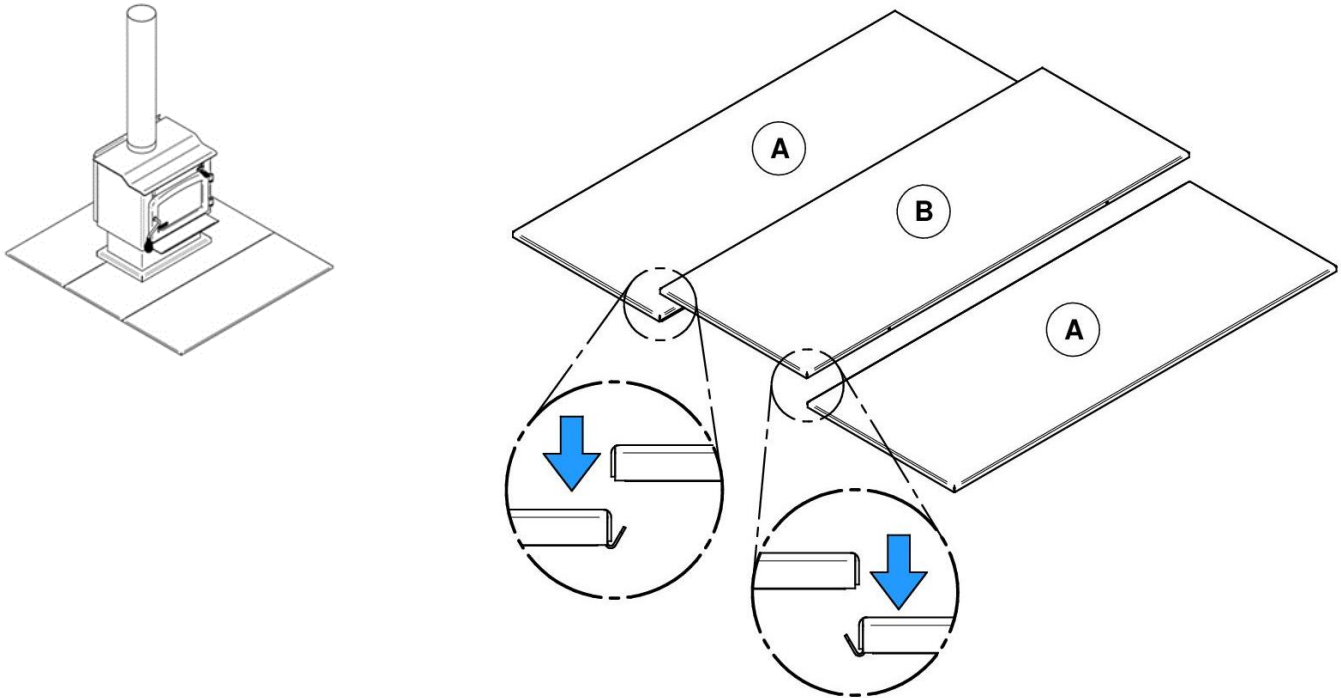


Figure 4 : Floor Protection

7. Make sure the panels are placed inside one another correctly to protect the floor from hot embers that could fall from the appliance in between two panels that are not well fit together.

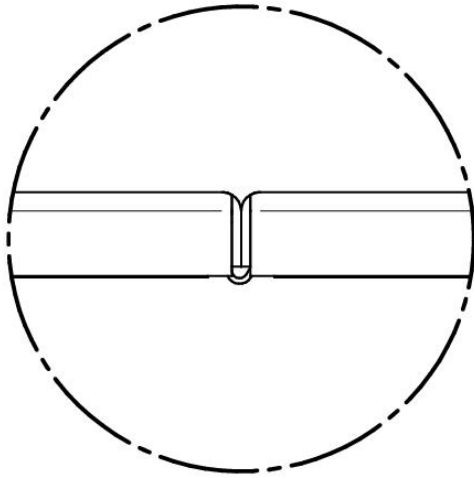


Figure 5 : Correct installation

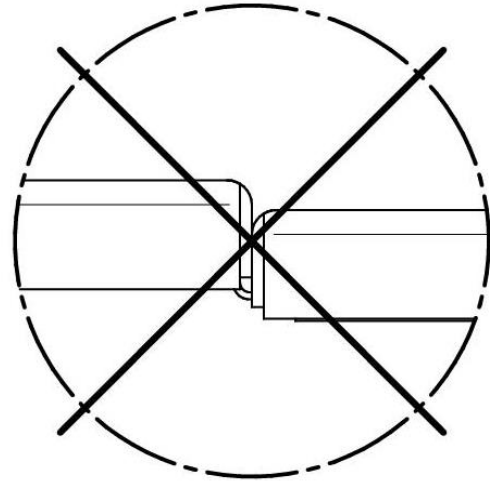


Figure 6 : Incorrect installation

8. Using masking tape, mark the four corners of the final position of the appliance on the floor protection.
9. Install the stove on the floor protector. **Do not slide the stove on the floor protector to avoid damaging the surface.**

NOTE

Depending on the dimension of the floor to protect, it is possible to use only two panels. One panel with clips **(A)** and the middle panel **(B)**.